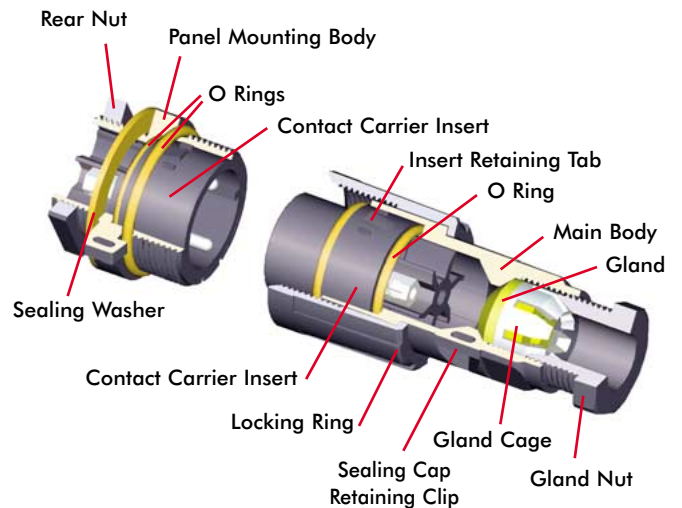


**IP68**



# Mini Buccaneer®



BUCCANEER

- Water and dustproof to IP68 when mated
- IP68 rating tested at 1.054kg/sq cm (15lb/sq in) 10m depth for 2 weeks
- 2, 3, 4 or 6 pole screw terminal inserts
- 3 or 8 pole solder or crimp inserts
- 5 body styles, Flex, Flex In-Line, Panel (2 styles), Panel Side Entry
- 50Ω or 75Ω BNC inserts
- 5A, 380V a.c. 3 & 8 way solder/crimp terminals
- 10A, 250V a.c. 2 & 3 way screw terminals
- 6A, 250V a.c. 4 way screw terminal
- 3A, 250V a.c. 6 way screw terminal

- Plug or socket connection in each body style
- Cable range from 3.5mm - 9mm
- Diameter over coupling ring 26mm
- Positive locating keyways - cannot be mis-mated
- Sealing caps available to maintain IP68 rating of unmated connectors
- Flammability rating UL94V-0 material
- Leading earth contact for 3 pole plug version
- Compact design
- Easy assembly - no special tools required on screw terminal versions
- UL approval

Mini Buccaneer®

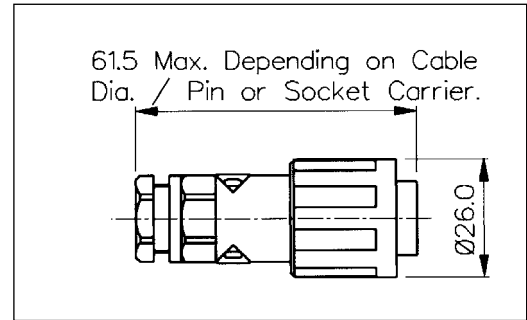
BUCCANEER

FLEX CABLE CONNECTOR



PX0800 - shown with insert

- PX0800 Connector body
- Mates with Flex In-line or Panel Mounting versions
- Screw locking ring
- Suitable for Pin or Socket inserts
- Cable Acceptance 3.5-9mm (Standard 5-7mm)
- Contact inserts supplied separately

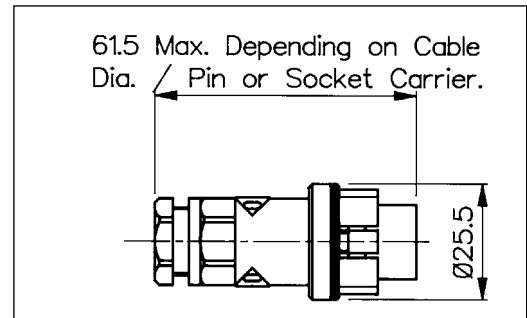


IN-LINE FLEX CABLE CONNECTOR



PX0801 - shown with insert

- PX0801 Connector body
- Mates with PX0800 - Flex Cable connector
- Suitable for Pin or Socket inserts
- Cable Acceptance 3.5-9mm (Standard 5-7mm)
- Contact inserts supplied separately

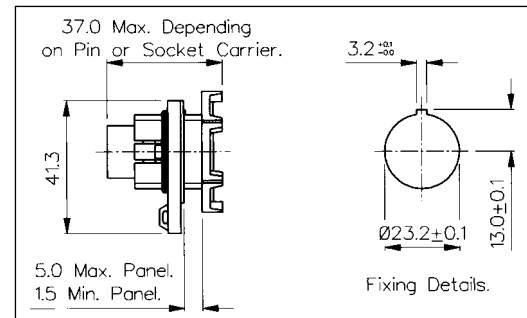


PANEL MOUNTING



PX0802 - shown with insert

- PX0802 Connector body
- Mates with PX0800 - Flex Cable connector
- Single hole fixing
- Suitable for Pin or Socket inserts
- Contact inserts supplied separately

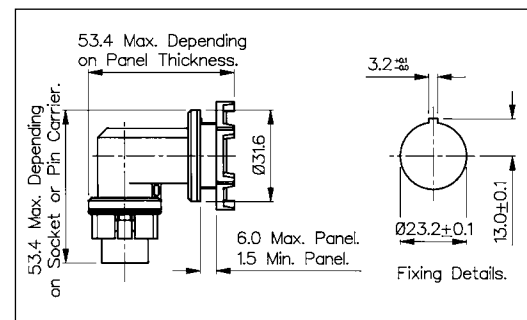


PANEL MOUNTING



PX0803 - shown with insert

- PX0803 Connector body
- Mates with PX0800 - Flex Cable connector
- Right angle cable entry
- Single hole fixing
- Suitable for Pin or Socket inserts
- Contact inserts supplied separately

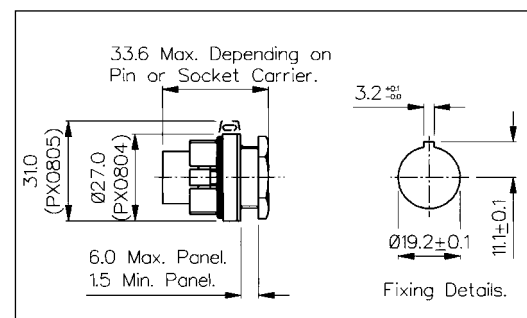


PANEL MOUNTING



PX0805 - shown with insert

- PX0804 and PX0805 Connector bodies
- Mates with PX0800 - Flex Cable connector
- PX0804 without sealing cap retaining clip, PX0805 with sealing cap retaining clip
- Single hole fixing
- Suitable for Pin or Socket inserts
- Contact inserts supplied separately



**Mini Buccaneer®**

**SCREW TERMINAL INSERTS**



- 2, 3, 4 and 6 Poles
- Fits all Body Styles - see page 36
- Leading Earth Pin on 3, 4 and 6 pole inserts
- Nickel Plated contacts

**Screw Terminal Inserts - fit all body styles**

| No. Poles | Socket | Pin    |
|-----------|--------|--------|
| 2         | SA3319 | SA3320 |
| 3         | SA3229 | SA3230 |
| 4         | SA3242 | SA3241 |
| 6         | SA3244 | SA3243 |

**CONTACT CARRIER INSERTS**



- For Solder or Crimp Contacts
- 3 or 8 Pin
- Fits all Body Styles - see page 36
- Contacts Supplied Separately

**Solder & Crimp Contact Carrier Inserts - fit all body styles.**

| No. Poles | Solder    | Colour | Crimp   | Colour |
|-----------|-----------|--------|---------|--------|
| 8 pin     | 12734/1   | Black  | 12734   | Grey   |
| 8 socket  | 12735/1   | Black  | 12735   | Grey   |
| 3 pin     | 12734/3/1 | Black  | 12734/3 | Grey   |
| 3 socket  | 12735/3/1 | Black  | 12735/3 | Grey   |

**CONTACTS, POLARISING/BLANKING PINS**



- Gold Plated contacts
- Solder or Crimp
- Polarising/Blanking pins

**Contacts - Solder & Crimp - for contact carrier inserts**

| Contacts (Supplied in packs of 10)                                     | Solder   | Crimp  |
|--|----------|--------|
| Pins   | SA3148/1 | SA3148 |
| Sockets  | SA3149/1 | SA3149 |
| Polarising/Blanking Pins   | SA3147   |        |
| Contact Insertion Tool:<br>Must be used to load contacts into inserts. | SA3150   |        |
| Crimping Tool  | SA2800   |        |

**BNC INSERT KIT**

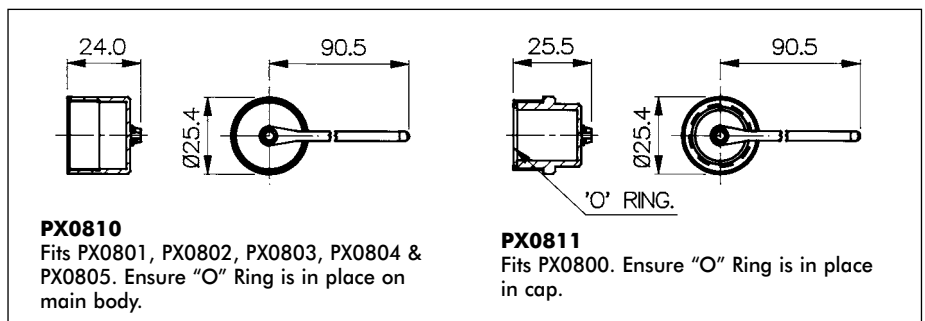
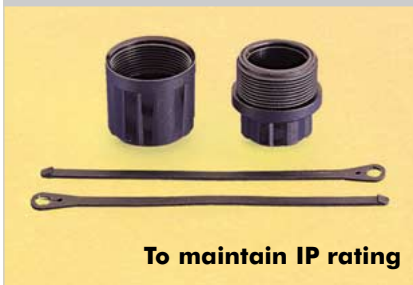


- BNC inserts for 50Ω and 75Ω co-ax cables
- Includes gland and washer to suit coax cable
- Fits all Body Styles (except PX0803) - see page 32

**BNC Inserts - fit all body styles except PX0803**


| Imp. | Cable Type            | Contacts | Part No. |
|------|-----------------------|----------|----------|
| 50Ω  | RG58/CU, URM43, URM76 | Plug     | SA3159/1 |
| 50Ω  | RG58/CU, URM43, URM76 | Socket   | SA3157/1 |
| 75Ω  | URM70                 | Plug     | SA3159   |
| 75Ω  | URM70                 | Socket   | SA3157   |

**SEALING CAPS**



## Mini Buccaneer® Contact Inserts and Accessories

### SPECIFICATION

| Electrical                       | Solder/Crimp Terminals  | Screw Terminals   | BNC   |
|----------------------------------|---|---|---|
| No Poles:                        | 3, 8  | 2, 3      4      6  |   |
| Current Rating:                  | 5A  | 10A      6A      3A   |   |
| Voltage Rating:                  | 380V ac   | 250V ac    250V ac    250V ac                                   |   |
| Contact Resistance:              | <5mΩ  |   |   |
| Insulation Resistance:           | >10 <sup>9</sup> MΩ @ 500V d.c.   |   |   |
| Voltage Proof:                   | 2kV @ 50Hz  |   |   |
| Operating Temp. Range:           | -20°C to +70°C  |   |   |
| Approvals:                       |                              |   |   |
| Materials                        | Solder/Crimp Terminals  | Screw Terminals   | BNC   |
| Body Mouldings:                  | Polyamide UL94V-0   | Polyamide UL94V-0   |   |
| Inserts:                         | Polyamide UL94V-0   | Polyamide UL94V-0   |   |
| Contacts:                        | Copper Alloy, Gold Plated (0.1µm) on Nickel   | Brass, Nickel Plated  | Brass, Silver Plated.                       |
| O Rings:                         | Nitrile   |   |   |
| <b>RoHS</b>                      | Compliant   | Compliant   | Compliant                                   |
| Mechanical                       | Solder/Crimp Terminals  | Screw Terminals   | BNC   |
| Sealing:                         | Protection Classification IP68, BS EN60529:1992. Tested @ 1.054kg/sq.in. (15lb/sq.in.) 10m depth for 2 weeks. |   |   |
| Cable Acceptance                 | 5-7mm dia - standard gland<br>3.5-9mm dia - alternative glands  |   |   |
| Contact Accommodation:           | 0.2 - 0.5mm <sup>2</sup> (20 - 24 AWG)  | 1mm <sup>2</sup> max (18 AWG)                                   | 50Ω: RG58/CU,<br>URM43, URM76<br>75Ω: URM70 |
| Insertion Force (typical):       | 3 way: 5N (1.1lbf)<br>8 way: 14N (3.1lbf)   | 3 way: 45N (10lbf)<br>4 way: 50N (11lbf)<br>6 way: 140N (31lbf) |   |
| Withdrawal Force (typical):      | 3 way: 3N (0.66lbf)<br>8 way: 12N (2.6lbf)  | 3 way: 32N (7lbf)<br>4 way: 40N (9lbf)<br>6 way: 150N (34lbf)   |   |
| Tightening Torques               |   |   |   |
| Gland Nut, PX0800, 801:          | 1.13Nm (10lbf in)   |   |   |
| Rear Nut, PX0802, 803, 804, 805: | 0.7Nm min, 1.7Nm max (6.2lbf in min, 15lbf in max)  |   |   |
| Sealing Cap, PX0810, 811:        | 0.23Nm min, 1.13Nm max (2lbf in min, 10lbf in max)  |   |   |

### HOW TO ORDER

- Choose body type, check cable diameter and sealing gland size.
- Determine contact carrier inserts. Choose number of poles, and type of contacts (solder, crimp, screw terminal or BNC).
- Choose pins or sockets. Solder and crimp contacts are supplied separately in packs of ten.
- Choose polarising/blanking pins. If required for solder/crimp contact inserts. Supplied in packs of ten.
- Is an insertion tool required (for solder or crimp contacts)?
- Is a crimp tool required?
- Is a sealing cap required?

### CABLE ACCEPTANCE

Cable gland for 5-7mm fitted as standard.  
BNC Insert Kit includes gland & washer to fit coax cable.

| Cable Diameter | Gland Part No. | Gland Colour   | Additional Suffix  |
|----------------|----------------|--|--------------------|
| 5-7mm          | 12023/1        | White  | Fitted as standard |
| 3.5-5mm        | SA3426         | Grey   | Suffix /04†        |
| 6-8mm          | 12023          | Black  | Suffix /06         |
| 7-9mm          | 12023/2        | Yellow   | Suffix /07         |
| Gland Pack     | PX0812         | Pack of 3 glands to suit cables 3.5-5mm, 6-8mm, 7-9mm dia† |                    |

To order body with alternative cable gland add suffix to part no. e.g. PX0800/06 = PX0800 body with cable gland to suit 6-8mm dia. cable.  
†Includes additional black gland cage for 3.5-5mm dia. cable range.