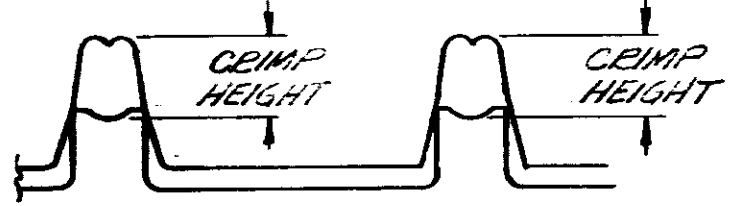




SYMBOL 14-12 SYMBOL 10

WIRE CRIMP				TERMINAL CRIMP HEIGHT
CRIMP SYMBOL	DIM	GO	NO GO	
14-12	F	.0724	.0774	SEE
	D	.0873	.0914	BELOW
10	F	.0924	.1034	SEE
	D	.1094	.1138	BELOW



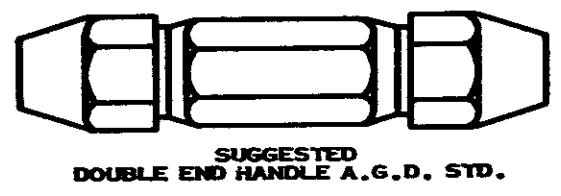
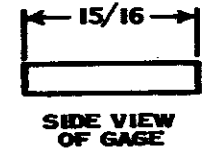
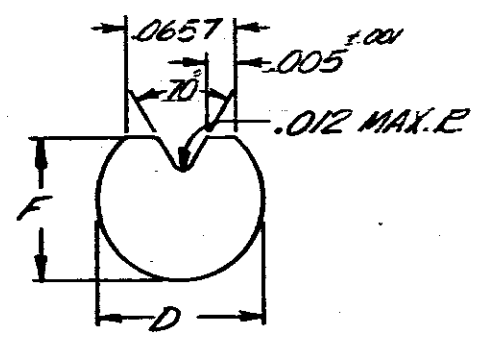
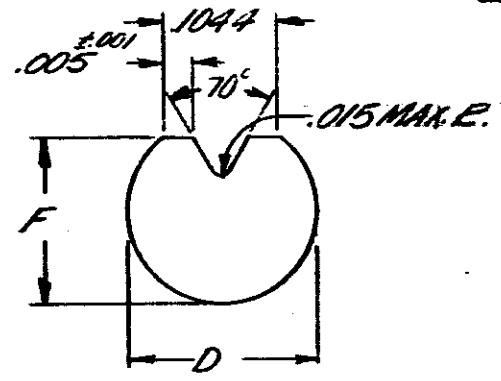
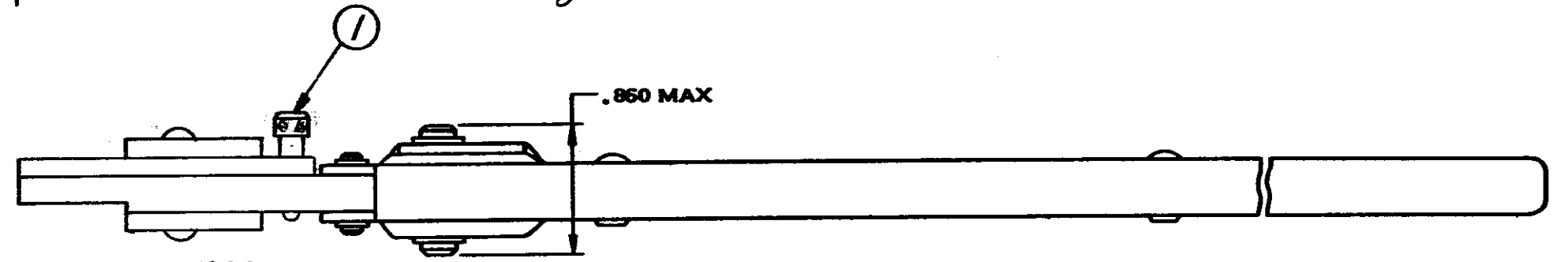
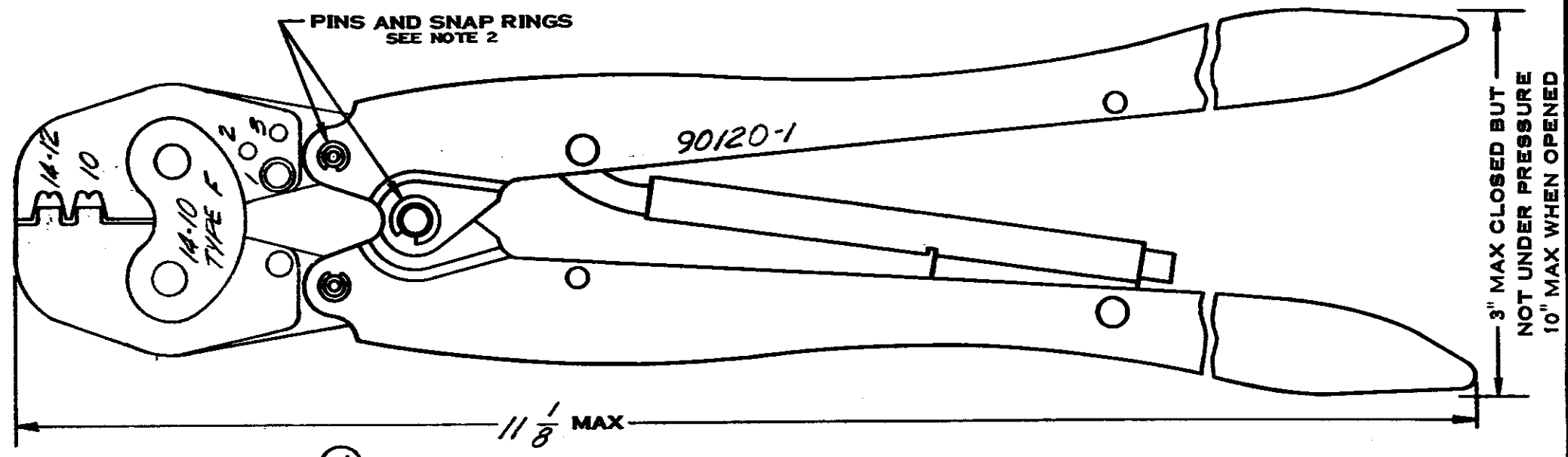
SYMBOL 10 SYMBOL 14-12

INSULATION CRIMP				TERMINAL CRIMP HEIGHT
CRIMP SYMBOL	DIM	GO	NO GO	
14-12	F	.1509	.1667	++
	D	.1695	.1850	--
10	F	.1509	.1667	+
	D	.1695	.1850	--

SEE NOTE #6

WIRE SIZE	TERMINAL CRIMP HEIGHT
14	.0925
	.0805
12	.0975
	.0850
10	.1140
	.1020

INACTIVE,
REFER TO
IS SHEET 7157
11/8/77



INSULATION CRIMPS CRIMP SYMBOLS 14-12 & 10
WIRE CRIMPS CRIMP SYMBOL 14-12 & 10
ENLARGED END VIEWS OF GAGES

INACTIVE
11/8/77 SEE I.S. - 7157

SUGGESTED GAGE DESIGN

					C-90120
A	INACTIVE PER ECU AT-1117	SET		11/8/77	
LTR	REVISION RECORD	DR	CHK	DATE	

1	39207	PIN-ADJUSTMENT	1
NO. REQD	NUMBER	NAME	ITEM NO.
©1964 BY AMP INCORPORATED. ALL RIGHTS RESERVED. AMP PRODUCTS COVERED BY PATENTS AND/OR PATENTS PENDING.		CUSTOMER COPY REFERENCE ONLY	
OR R. Canty 4/23/64	MATERIAL-STEEL	AMP INCORPORATED HARRISBURG PENNA.	
CHK S. Dried 4/30/64	FINISH-BLACK OXIDE	CLASS	
OR J. Ginter 4/30/64	WEIGHT-1 LBS. 3 OZ.	TYPE	
OR J. Ginter 4/30/64	WIRE - RANGE - INSULATION	TOLERANCE EXCEPT AS NOTED	
OR J. Ginter 4/30/64	SCALE	LOC R B	NO C-90120
NAME J. Ginter	DOUBLE ACTION HAND TOOL		
REV A	REV A		

DIMENSIONS IN INCHES DO NOT SCALE PRINT