

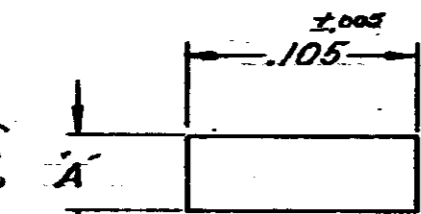
WIRE CRIMP				TERMINAL CRIMP HEIGHT
CRIMP SYMBOL	DIM	GO	NO GO	
22-18	0	.1625	.0675	—



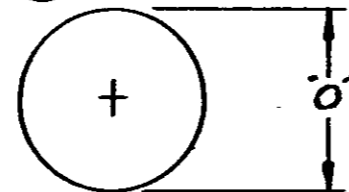
INSULATION CRIMP				TERMINAL CRIMP HEIGHT
CRIMP SYMBOL	DIM	GO	NO GO	
22-18	A	.0290	.0510	—

SEE NOTE #6

INACTIVE  
11/8/77



INSULATION CRIMP  
CRIMP SYMBOL 22-18



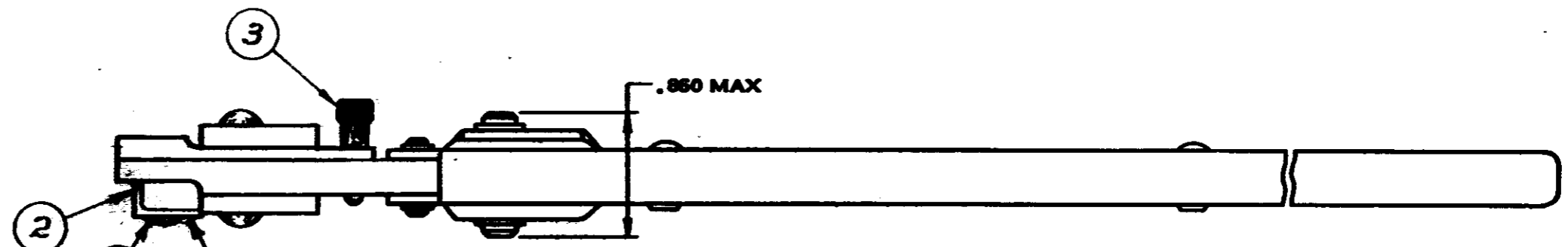
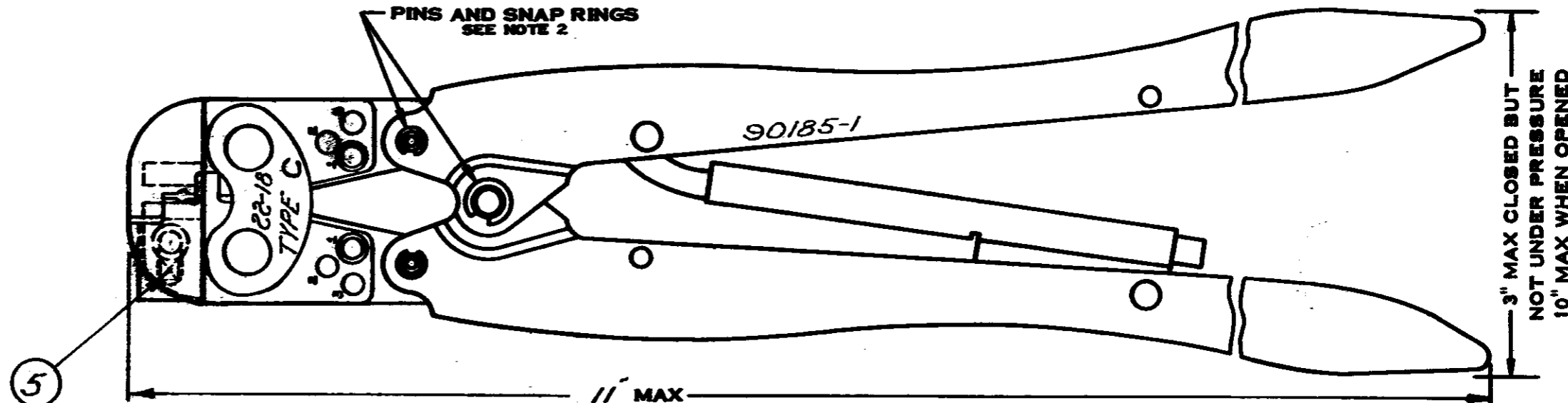
WIRE CRIMP  
CRIMP SYMBOL 22-18

ENLARGED END VIEW OF GAGES

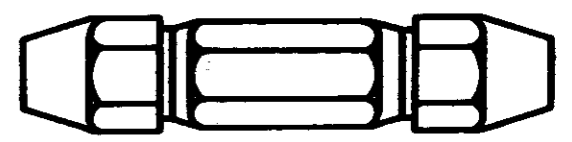
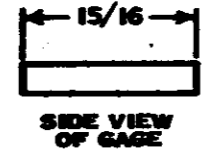
SUGGESTED GAGE DESIGN

NO.	DESCRIPTION	DATE	BY	CHK	DATE
1	ORIGINAL DESIGN	11-8-65	J. LUCI		
2	REVISED DRAWING	11-8-67	J. LUCI		
3	REVISED DRAWING	11-8-67	J. LUCI		
4	REVISED DRAWING	11-8-67	J. LUCI		
5	REVISED DRAWING	11-8-67	J. LUCI		
6	REVISED DRAWING	11-8-67	J. LUCI		
7	REVISED DRAWING	11-8-67	J. LUCI		
8	REVISED DRAWING	11-8-67	J. LUCI		
9	REVISED DRAWING	11-8-67	J. LUCI		
10	REVISED DRAWING	11-8-67	J. LUCI		
11	REVISED DRAWING	11-8-67	J. LUCI		
12	REVISED DRAWING	11-8-67	J. LUCI		
13	REVISED DRAWING	11-8-67	J. LUCI		
14	REVISED DRAWING	11-8-67	J. LUCI		
15	REVISED DRAWING	11-8-67	J. LUCI		
16	REVISED DRAWING	11-8-67	J. LUCI		
17	REVISED DRAWING	11-8-67	J. LUCI		
18	REVISED DRAWING	11-8-67	J. LUCI		
19	REVISED DRAWING	11-8-67	J. LUCI		
20	REVISED DRAWING	11-8-67	J. LUCI		

PINS AND SNAP RINGS SEE NOTE 2



INACTIVE,  
REFER TO  
IS SHEET "7278"  
11/8/77



SUGGESTED DOUBLE END HANDLE A.G.D. STD.

NO.	NUMBER	NAME	ITEM NO.
1	301201	SPRING	5
1	125645-1	HOUSING-LOCATOR	4
2	39207	ADJUSTMENT PIN	3
1	125644-1	LOCATOR	2
1	2-59577-6	SCREW (#8-32 x 7/16 LG.)	1

AMP INCORPORATED. ALL RIGHTS RESERVED. PATENTS AND/OR PATENTS PENDING.

*J. Luci* 12-9-65

*J. Luci* 11-8-67

*J. Luci* 11-8-67

MATERIAL-STEEL  
FINISH-BLACK OXIDE  
WEIGHT-1 LBS. 3 OZ.

WIRE - RANGE - INSULATION

TOLERANCE EXCEPT AS NOTED

SCALE

CLASS #

TYPE #

NO 90185

REV D

DOUBLE ACTION HAND TOOL

CUSTOMER DRAWING

DIMENSIONS IN INCHES DO NOT SCALE PRINT