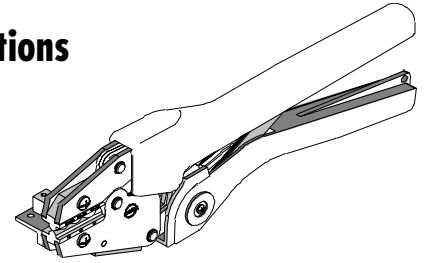




Hand Crimp Tool
Operating Instruction Sheet and Specifications
Part No. 64001-4500
Eng. No. RHT 5771
(Replaces 19285-0051)



FEATURES

- A full cycle ratcheting hand tool ensures complete crimps
- An economical tool for portable crimping and field repair
- 3-nested tool eliminates the need for additional tools

SCOPE

Perma-Seal™ Step Down Butt Splices for 14-16 to 18-22 AWG and 10-12 to 14-16 AWG. FIQD Couplers Male and Female for 14-22 AWG.

Testing

Mechanical

The tensile test, or pull test, is a means of evaluating the mechanical properties of the crimped connections. The following charts show the UL specifications for various wire sizes. The tensile strength is shown in pounds, and it indicates the minimum acceptable force to break or separate the terminal from the conductor.

Wire Size (AWG)	UL - 486 A*	UL - 486 C**	UL*310***
	Min. Pull	Min. Pull	Min. Pull
22	8	8	8
20	13	10	13
18	20	10	20
16	30	15	30
14	50	25	50
12	70	35	70
10	80	40	80

*UL - 486 A - Terminals (copper conductors only).

**UL - 486 C - Butt Splices

***UL - 310 - Couplers

The following is a partial list of the product part numbers and their specifications that this tool is designed to run. We will be adding to this list and an up to date copy is available on www.molex.com.

Wire Size: 18 – 22 AWG 0.80 – 0.35mm ²					
Terminal No.	Terminal Eng No. (REF)	Wire Strip Length		Insul. Dia. Max.	
		In	mm	In	mm
19164-0015	SAA-9260	.313	7.94	.145	3.68
19164-0017	SAA-9261	.313	7.94	.165	4.19

Wire Size: 14 – 16 AWG 2.00 – 1.30mm ²					
Terminal No.	Terminal Eng No. (REF)	Wire Strip Length		Insul. Dia. Max.	
		In	mm	In	mm
19164-0048	SBB-9262	.313	7.94	.170	4.32
19164-0050	SBB-9263	.313	7.94	.170	4.32

STEP DOWN BUTT SPLICE					
Wire Size: 14 – 16 AWG 2.00 – 1.30mm ² to 18 – 22 AWG .080-0.35 mm ²					
Terminal No.	Terminal Eng No. (REF)	Wire Strip Length		Insul. Dia. Max.	
		In	mm	In	mm
19164-0043	SBA-631	.281	7.14	.230	5.84

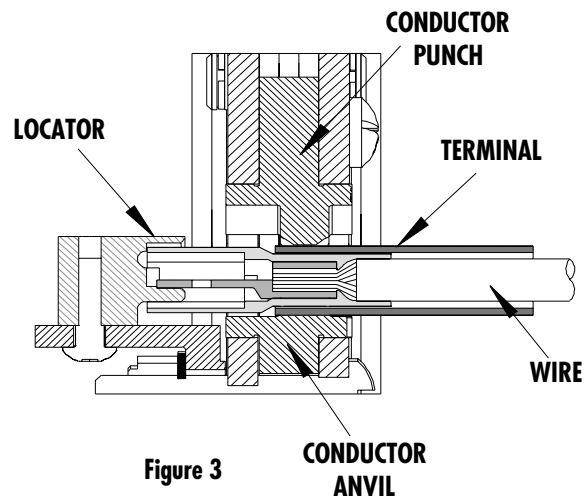
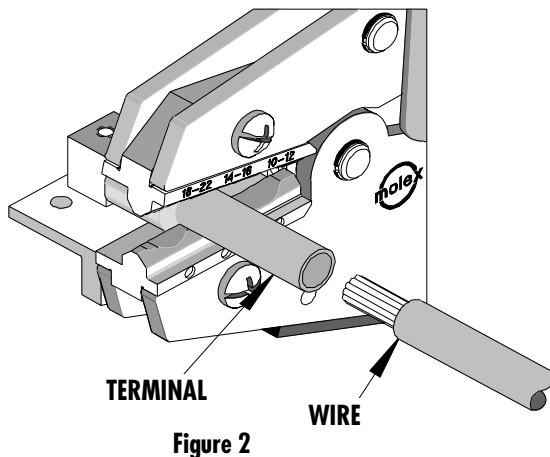
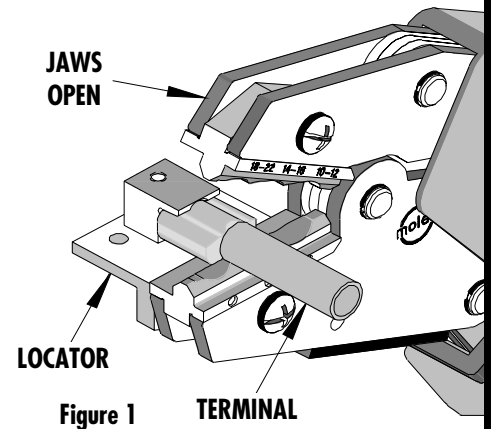
STEP DOWN BUTT SPLICE					
Wire Size: 10 – 12 AWG 5.00 – 3.30mm ² to 14 – 16 AWG 2.00-1.30 mm ²					
Terminal No.	Terminal Eng No. (REF)	Wire Strip Length		Insul. Dia. Max.	
		In	mm	In	mm
19164-0077	SCB-646	.281	7.14	.300	7.62

OPERATION

Crimping Terminals

Open the tool by first closing the jaws sufficiently for the ratchet mechanism to release.

1. Adjust the locator up or down until the terminal being run sits flat and straight in the tool.
2. Position the locator for the proper color-coded nest by removing the #4-40 X 3/8" Lg. BHSCS under the bracket of the locator. Place it in the desired position that corresponds with the color-coded nest being used. Tighten the BHSCS.
3. Place the terminal into the locator and push until the terminal is flush against the locator face shown in Figure 1.
4. Partially close the hand tool jaws until the connector is held snug in place, See Figure 2.
5. Insert the properly stripped wire into the terminal barrel (See Figure 2 and 3).



6. Complete the crimp by closing the hand tool handles until they release.

Note: The tamper proof ratchet action will not release the tool until it has been fully closed.

- Remove the crimp and inspect for proper crimp. Molex offers a Crimp Inspection Handbook for closed barrel industrial product. See our website or contact your sales engineer.

Crimping Butt Splices

When crimping butt splices, the locator must be removed.

- Position the splice into the proper color-coded nest.
- Partially close the tool to hold the splice in place.
- Insert the properly stripped wire into the splice. The wires end should butt against the tab in the terminal (See Figure 4). Cycle the tool.
- Remove the crimped splice. Inspect for proper crimp location.
- Rotate the butt splice terminal 180°, so that the opposite end of splice is in the nest.
- Repeat steps 2 thru 4.

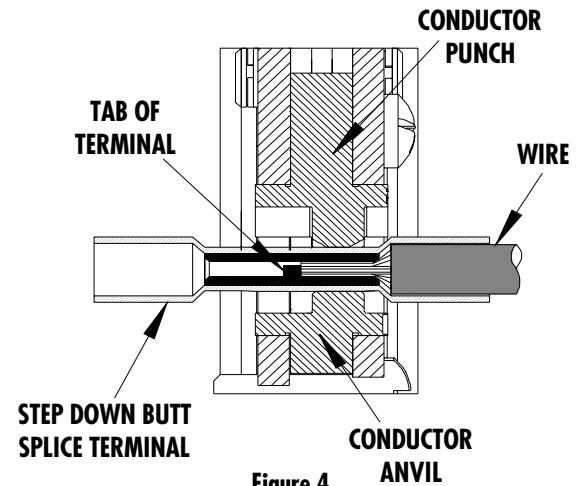


Figure 4

Note: Whenever crimping without the locator, make sure the seam of the terminal is oriented up or down in the tool if using unbrazed product, as this will provide higher pull force values.

Maintenance

It is recommended that each operator of the tool be made aware of, and responsible for, the following maintenance steps:

- Remove dust, moisture and other contaminants with a clean brush, or soft, lint-free cloth.
- Do not use any abrasive materials that could damage the tool.
- Make certain all pins; pivot points and bearing surfaces are protected with a thin coat of high quality machine oil. Do not oil excessively. The 64001-4500 (RHT-5771) was engineered for durability, but like any fine piece of equipment, it needs cleaning and lubrication for a maximum service life of trouble-free crimping. A light oil, such as 30 weight automotive oil used at the oil points shown in Figure 5, every 5,000 crimps or 3 months will significantly enhance the tool life and ensure a stable calibration.
- When tool is not in use, keep the handles closed to prevent objects from becoming lodged in the crimping dies, and store the tool in a clean, dry area.

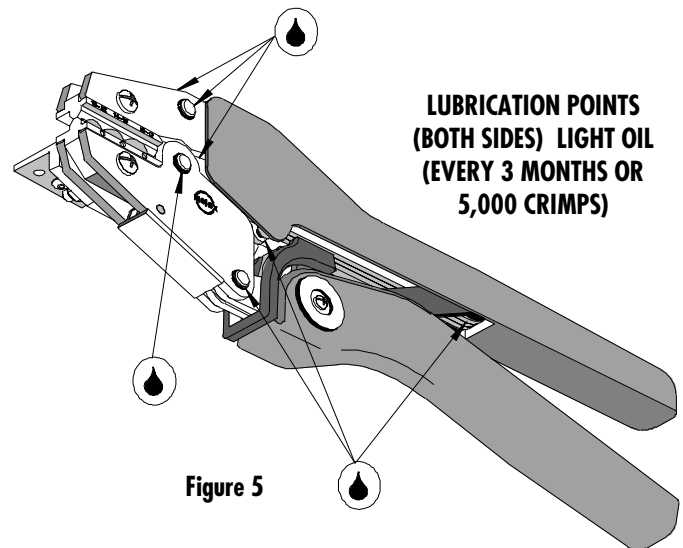


Figure 5

**LUBRICATION POINTS
(BOTH SIDES) LIGHT OIL
(EVERY 3 MONTHS OR
5,000 CRIMPS)**

Miscrimps or Jams

Should this tool ever become stuck or jammed in a partially closed position, **Do Not force the handles open or closed.** The tool will open easily by pressing the ratchet release lever, (See Figure 6).

How to Adjust Tool Preload (See Figure 6)

Over the life of the tool, it may be necessary to adjust tool handle preload force. Listed below are the steps required to adjust the crimping force of the hand tool to obtain proper crimp conditions:

1. Remove the screw and plastic cover washer. Note the setting wheel position.
2. Lift the setting wheel off the axle. Turn the eccentric axle with a screwdriver.
3. Turning the eccentric axle counter-clockwise will increase handle force.
4. Replace the setting wheel to the axle, aligning the nearest notch in the setting wheel to the dowel pin.
5. Replace the plastic cover washer and screw.
6. Check the crimp specifications after tool crimp force is adjusted.

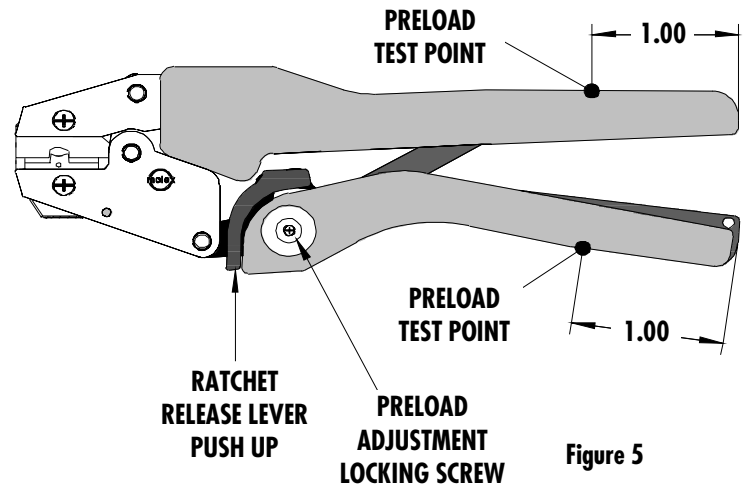
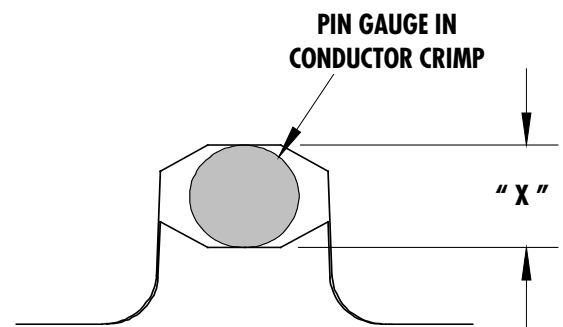


Figure 5

Tool Calibration

A Certificate of Calibration (see last page) was supplied with the tool. To recalibrate this tool, pin gauge measurements should be taken in each conductor nest and compared to this chart. The tool should be lubricated before recalibration to ensure consistent measurements. Handle preload is factory set to 25-45 LBS. See How to Adjust Tool Preload (See Figure 5) to recalibrate.



"Confining" Crimp

Nest Color Code	Wire Range		"X" Dimension Conductor Crimp			Crimp Inspection Marking
	AWG	mm ²	Mean	Go	No Go	
Red	18 - 22	0.35 - 0.80	.094	.090	.098	---
Blue	14 - 16	1.30 - 2.00	.115	.110	.119	---
Yellow	10 - 12	3.30 - 5.00	.161	.156	.167	---

Warranty

This tool is for electrical terminal crimping purposes only. This tool is made of the best quality materials. All vital components are long life tested. All tools are warranted to be free of manufacturing defects for a period of 30 days. Should such a defect occur, we will repair or exchange the tool free of charge. This repair or exchange will not be applicable to altered, misused or damaged tools. This tool is designed for hand use only. Any clamping, fixturing, or use of handle extensions voids this warranty.

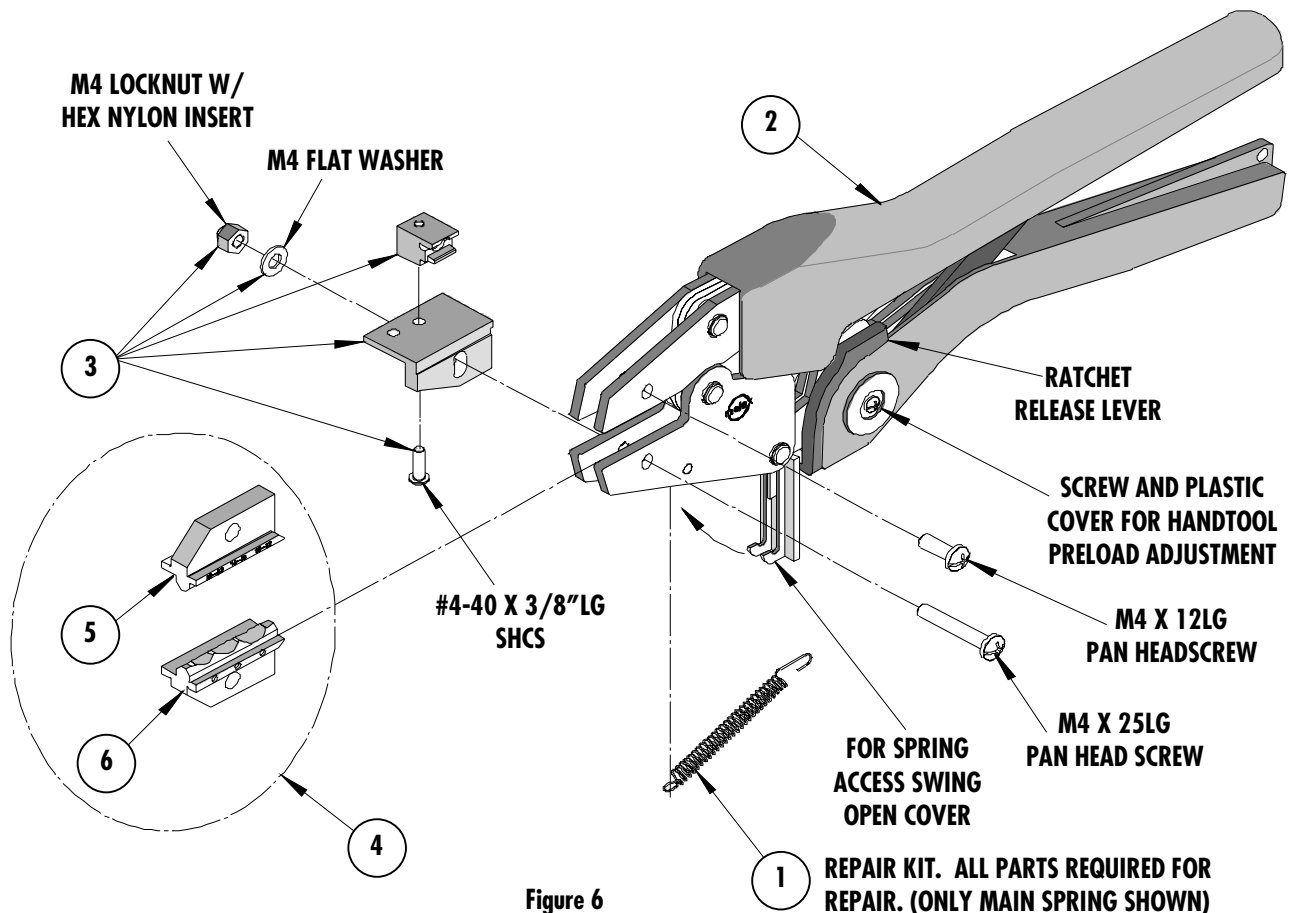
Caution: Repetitive use of this tool should be avoided.

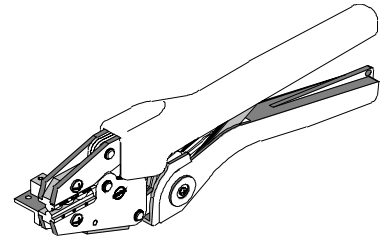
Hand held crimping tools are intended for low volume, prototyping, or repair requirements only.

CAUTION: Molex crimp specifications are valid only when used with Molex terminals, applicators and tooling.

PARTS LIST

Item	Order No	Description	Quantity
	64001-4500	Hand Crimp Tool	(Fig. 6)
1	64000-0076	Repair Kit (Springs, Pins and E-Rings)	1
2	63810-0000	Handle	1
3	64001-4575	Locator Assembly	1
4	64001-4570	Tooling Kit	1
Tooling Kit Only			
5	64001-4502	Conductor Punch	1
6	64001-4501	Conductor Anvil	1





Certificate of Calibration

Tool Order Number _____

Tool Eng. Number _____

Tool Revision _____

Serial Number _____

Date of Manufacture _____

Handle Load Range at 1 inch from the Tips = _____

Actual = _____

Pin Gage of Conductor Nest/Nests or Slug height if the nest is the "F" Crimp style.

Range Conductor Nest # 1 = _____ Actual = _____

Range Conductor Nest # 2 = _____ Actual = _____

Range Conductor Nest # 3 = _____ Actual = _____

Technician _____

Date of Calibration _____

Calibration should be done every 5,000 cycles or 3 months.
Tools should be lubricated during this operation.

Americas Headquarters
Lisle, Illinois 60532 U.S.A.
1-800-78MOLEX
amerinfo@molex.com

Far East North Headquarters
Yamato, Kanagawa, Japan
81-462-65-2324
feninfo@molex.com

Far East South Headquarters
Jurong, Singapore
65-6-268-6868
fesinfo@molex.com

European Headquarters
Munich, Germany
49-89-413092-0
eurinfo@molex.com

Corporate Headquarters
2222 Wellington Ct.
Lisle, IL 60532 U.S.A.
630-969-4550
Fax: 630-969-1352

Visit our Web site at <http://www.molex.com>