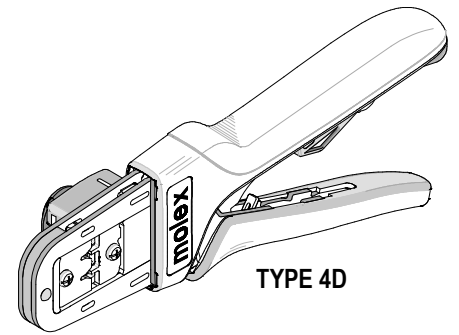




**HAND CRIMP TOOL
Specification Sheet
Order No. 63811-8800**



FEATURES

- A full cycle ratcheting hand tool ensures complete crimps
- Ergonomic soft grip handles for comfortable crimping
- A precision user-friendly terminal locator wire stop holds terminals in the proper crimping position
- Right and Left handed applications
- This tool is IPC/WHMA A-620 Class 2 compliant
- This tool is RoHS compliant, however RoHS compliant is not required

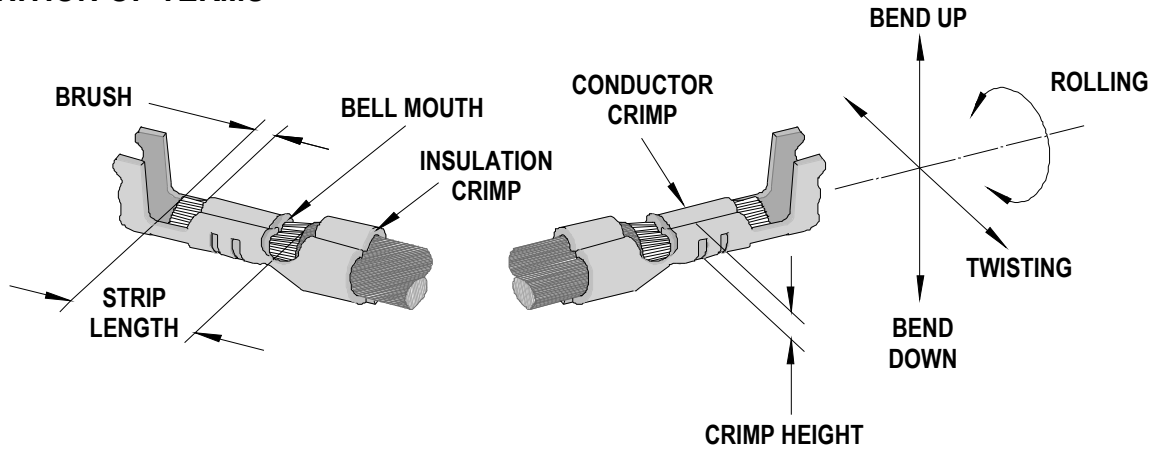
SCOPE

Products: SL™ Crimp Terminal, 24-30 AWG

Terminal Series No.	Terminal Order No.				Wire Size		Insulation Diameter		Strip Length	
	Loose Piece		*Reel		AWG	mm ²	mm	In.	mm	In.
50083	50083-8100	50083-8160	50083-8000	50083-8060	24-30	0.20-0.05	1.01-1.52	.040-.060	2.54-3.17	.100-.125
	50083-8114	50083-8170	50083-8114	50083-8070						
50087	50087-8100	50087-8130	50087-8000	50087-8060	24-30	0.20-0.05	1.01-1.52	.040-.060	2.54-3.17	.100-.125
	50087-8114	50087-8160	50087-8014	50087-8099						
			50087-8030							
70021	16-02-0108	40-08-0872	16-02-0077	16-02-0105	24-30	0.20-0.05	1.01-1.52	.040-.060	2.54-3.17	.100-.125
	16-02-0109		16-02-0078	40-08-0871						
	16-02-0110		16-02-0091							
70058	16-02-0096	70058-0096	16-02-0069	16-02-0150	24-30	0.20-0.05	1.01-1.52	.040-.060	2.54-3.17	.100-.125
	16-02-0097	70058-0097	16-02-0082	70058-0069						
	16-02-0098	70058-4096	16-02-0083	70058-0082						
	16-02-0140		16-02-0137	70058-0083						
	16-02-0151		16-02-0139	70058-4069						
71851	16-02-1109	16-02-0117	16-02-1112	16-02-0119	24-30	0.20-0.05	1.01-1.52	.040-.060	2.54-3.17	.100-.125
	16-02-1116	16-02-1117	16-02-1113	71851-0119						

*Customer to cut off terminal from reel:0.13mm (.005") maximum front cut-off tab and 0.08mm(.003") maximum rear cut-off tab.

DEFINITION OF TERMS



The above terminal drawing is a generic terminal representation. It is not an image of a terminal listed in the scope.

CONDITIONS:

After crimping, the conductor profiles should measure the following.

Terminal Series No	Wire Size		Conductor Crimp				Insulation Crimp				Pull Force Minimum		Profile	
			Height (Ref.)		Width (Ref.)		Height (Ref.)		Width (Ref.)					
	AWG	mm ²	mm	In.	mm	In.	mm	In.	mm	In.	N	Lb.	24-26	28-30
50083	24	0.20	0.77-0.87	.030-.034	1.08	.043	1.50	.059	1.30	.051	29.4	6.61	X	
	26	0.12	0.77-0.87	.030-.034	1.08	.043	1.50	.059	1.30	.051	19.6	4.41	X	
	28	0.08	0.67-0.77	.026-.030	1.06	.042	1.39	.055	1.28	.050	9.8	2.20		X
	30	0.05	0.67-0.77	.026-.030	1.06	.042	1.39	.055	1.28	.050	4.9	1.10		X
50087	24	0.20	0.77-0.87	.030-.034	1.08	.043	1.50	.059	1.30	.051	29.4	6.61	X	
	26	0.12	0.77-0.87	.030-.034	1.08	.043	1.50	.059	1.30	.051	19.6	4.41	X	
	28	0.08	0.67-0.77	.026-.030	1.06	.042	1.39	.055	1.28	.050	9.8	2.20		X
	30	0.05	0.67-0.77	.026-.030	1.06	.042	1.39	.055	1.28	.050	4.9	1.10		X
70021	24	0.20	0.77-0.87	.030-.034	1.08	.043	1.50	.059	1.30	.051	28.9	6.50	X	
	26	0.12	0.77-0.87	.030-.034	1.08	.043	1.50	.059	1.30	.051	17.8	4.00	X	
	28	0.08	0.67-0.77	.026-.030	1.06	.042	1.39	.055	1.28	.050	11.1	2.50		X
	30	0.05	0.67-0.77	.026-.030	1.06	.042	1.39	.055	1.28	.050	6.7	1.50		X
70058	24	0.20	0.77-0.87	.030-.034	1.08	.043	1.50	.059	1.30	.051	28.9	6.50	X	
	26	0.12	0.77-0.87	.030-.034	1.08	.043	1.50	.059	1.30	.051	17.8	4.00	X	
	28	0.08	0.67-0.77	.026-.030	1.06	.042	1.39	.055	1.28	.050	11.1	2.50		X
	30	0.05	0.67-0.77	.026-.030	1.06	.042	1.39	.055	1.28	.050	6.7	1.50		X
71851	24	0.20	0.77-0.87	.030-.034	1.08	.043	1.50	.059	1.30	.051	28.9	6.50	X	
	26	0.12	0.77-0.87	.030-.034	1.08	.043	1.50	.059	1.30	.051	17.8	4.00	X	
	28	0.08	0.67-0.77	.026-.030	1.06	.042	1.39	.055	1.28	.050	11.1	2.50		X
	30	0.05	0.67-0.77	.026-.030	1.06	.042	1.39	.055	1.28	.050	6.7	1.50		X

OPERATION

CAUTION: Install only Molex terminals listed above with this tool. Do not crimp hardened objects as damage can occur to the tool or die.

Open the tool by squeezing the handles together. At the end of the closing stroke, the ratchet mechanism will release the handles and the hand tool will spring open. See Figure 1.

Crimping Terminals

1. Select the desired terminal listed in the preceding charts.
2. Make sure the center of the locator is in the down position. With the locator attached, push the locator button on the back of the hand tool to bring the locator forward through the tooling. See Figure 2.
3. While holding the locator button in, load the terminal into the proper nest opening in the locator based on the wire gauge or terminal type markings on the hand tooling. See Figure 3.
4. Release the locator button, allowing the locator to return to the crimping position.
5. Close the tool handle until the first ratchet position engages. See Figure 4.
6. Insert the properly stripped wire through the terminal and against the wire stop. See Figure 5.
7. Crimp the terminal by squeezing the tool handles until the ratchet mechanism cycle has been completed. Release the handles to open the jaws.

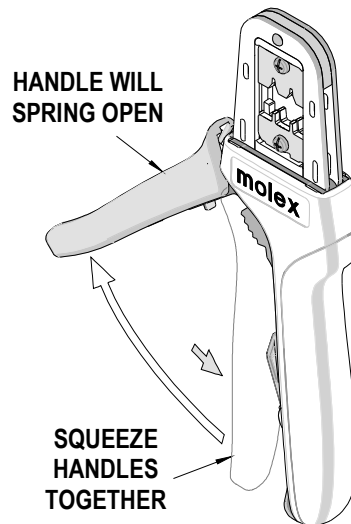


Figure 1

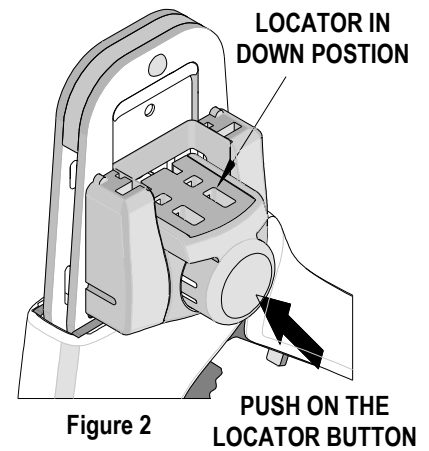


Figure 2

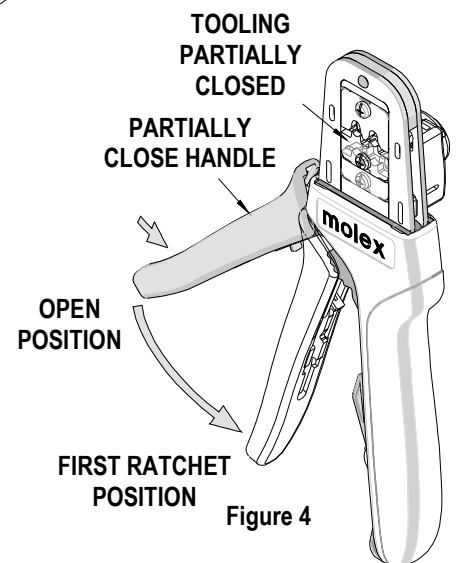


Figure 4

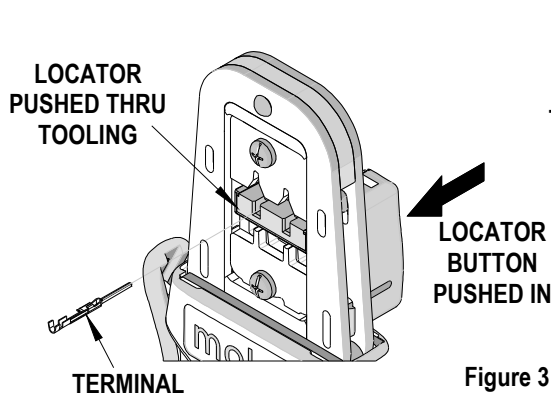
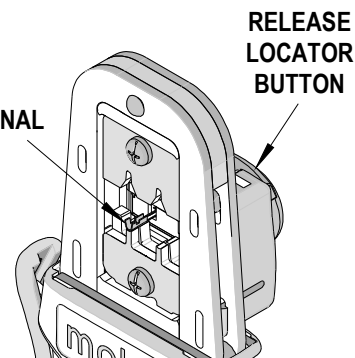
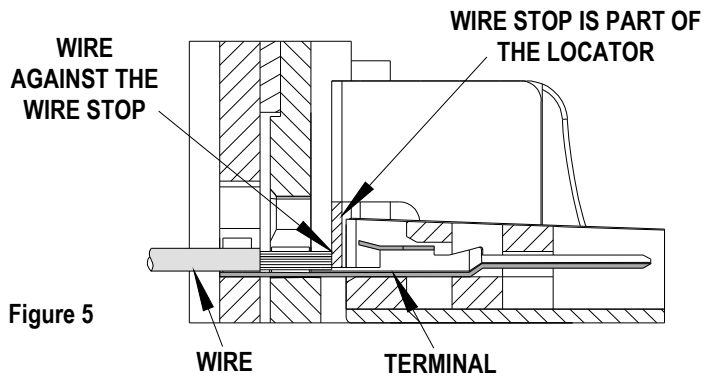
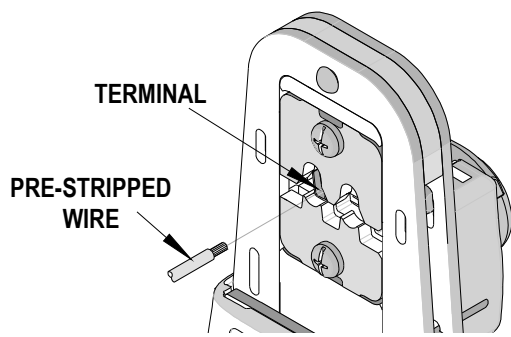


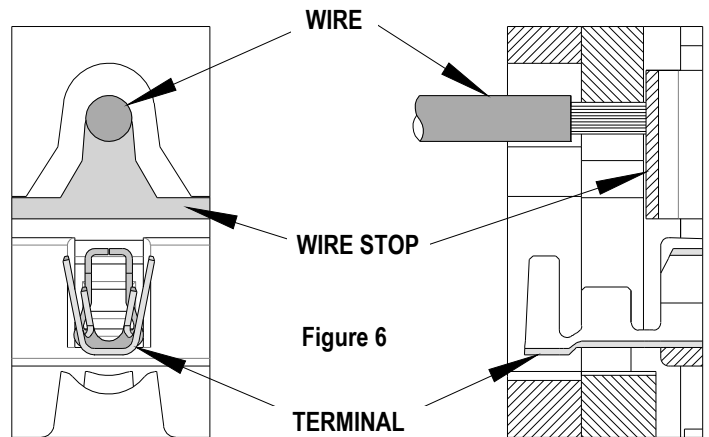
Figure 3





Note: The tamper proof ratchet action will not release the tool until it has been fully closed.

8. Remove the crimped terminal from the terminal locator by pulling on the wire.
9. Visually inspect the crimped terminal for proper crimp location.
10. On some large O.D. wires, it may not be possible to insert the wire with the tool partially closed. Those wires should be inserted with the hand tool in the open position. Insert the wire above the terminal in the punch and against the wire stop then close the tool. See Figure 6.



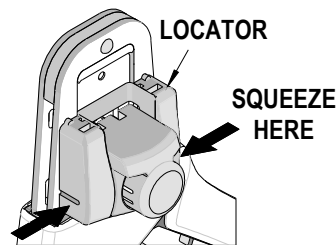
Note:

A crimp height chart is provided with this manual as Reference Only. Due to the wide range of wires, strands, insulation diameters, and durometers available, actual crimp height measurements may vary slightly. An occasional, destructive, pull force test should be performed to check hand tool crimp. Pull Force value Must exceed the Minimum pull force specifications listed.

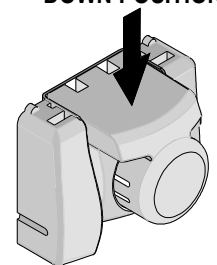
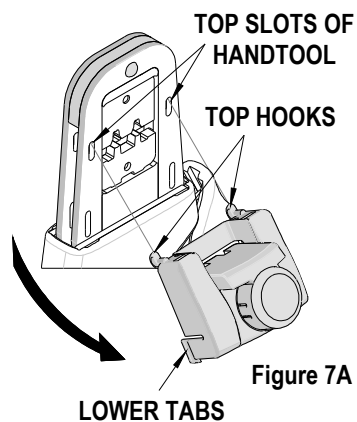
Locator Replacement

See the parts list on the last page of this document for the proper locator order number. Follow the steps below to replace the locator.

1. Open the crimp hand tool.
2. Squeeze gently on the lower area shown in Figure 7A with your thumb and index finger. The lower tabs of the locator should disengage from the hand tool.
3. Lift and pull away from the hand tool. The top locator hooks should slip out of the top slots easily. See Figure 7A.



MAKE SURE CENTER OF LOCATOR IS IN THE DOWN POSITION



4. To reinstall the new locator, make sure the hand tool is in the open position.
5. Press the red insert down as far as it will go as shown in Figure 7B.
6. Holding onto the lower part of the locator with your thumb and index finger, insert the locators top hooks (2) into the hand tool top slots.
7. Rotate the locator down and press the lower tabs into the two bottom slots of the hand tool. To secure the locator into place, the lower tabs must snap into place on the hand tool frame.

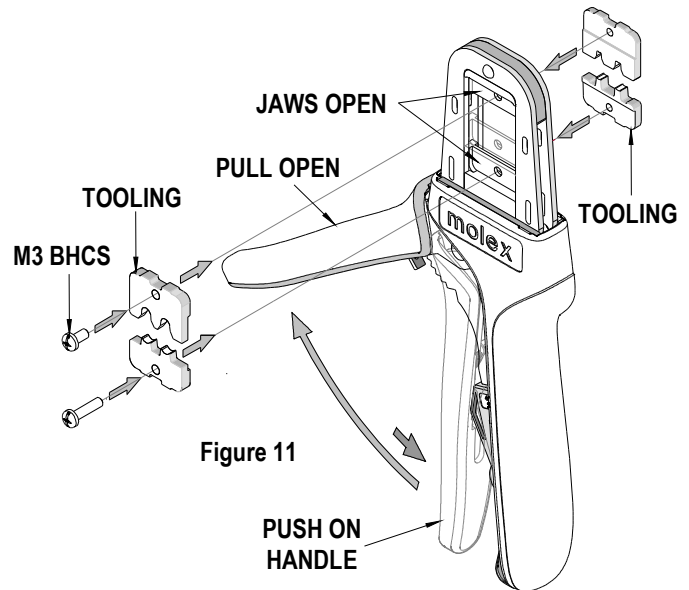


Figure 11

Right or Left Hand Operation

This hand tool has an added feature that can be converted from a right handed application to a left handed application. It is necessary to reverse the tooling if using the left handed application along with the locator. Follow the steps below:

1. The locator must be removed before reversing the tooling.
2. Remove the M3 BHCS which is holding the upper tooling.
3. Flip the upper tooling to the opposite side and replace the M3 BHCS. Make sure the small markings on the front and back of the hand tool frame match up and are on the outside of the hand tool frame. See Figure 11 and 12.
4. Do the same thing with the lower tooling and tighten the M3 screws. Be sure the small markings line up.
5. Reinstall the locator by following the Instructions in the locator replacement section.

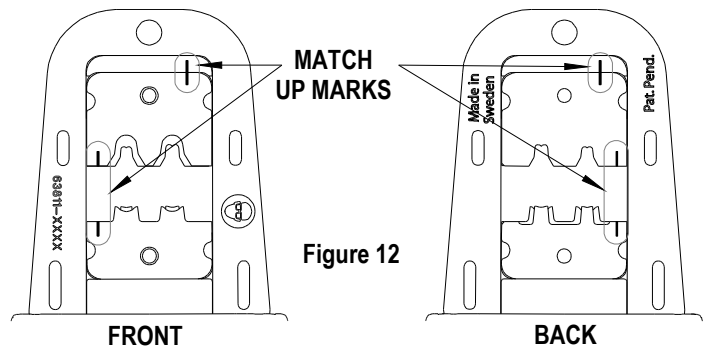


Figure 12

Maintenance

It is recommended that each operator of the tool be made aware of, and responsible for, the following maintenance steps:

1. Remove dust, moisture, and other contaminants with a clean brush, or soft, lint free cloth.
2. Do not use any abrasive materials that could damage the tool.
3. Make certain all pins; pivot points and bearing surfaces are protected with a thin coat of high quality machine oil. Do not oil excessively. The tool was engineered for durability but like any other equipment it needs cleaning and lubrication for a maximum service life of trouble free crimping. Light oil (such as 30 weight automotive oil) used at the oil points, every 5,000 crimps or 3 months, will significantly enhance the tool life.

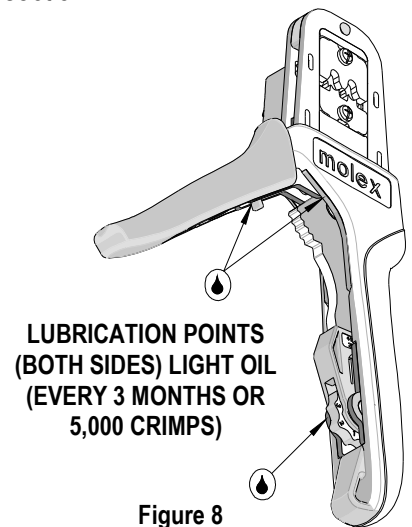


Figure 8

4. Wipe excess oil from hand tool, particularly from crimping area. Oil transferred from the crimping area onto certain terminations may affect the electrical characteristics of an application.
5. When tool is not in use, keep the handles closed to prevent objects from becoming lodged in the crimping dies, and store the tool in a clean, dry area.

Miscrimps or Jams

Should this tool ever become stuck or jammed in a partially closed position, **Do Not force the handles open or closed.** The tool will open easily by pressing up on the ratchet release lever in the movable handle. See Figure 9.

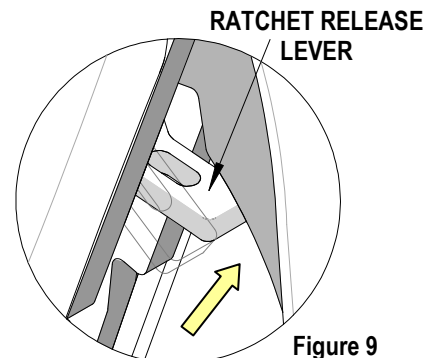


Figure 9

How to Adjust Tool Preload (See Figure 10)

This hand tool is factory preset to 25-45 LBS. preload. It may be necessary over the life of the tool to adjust tool handle preload force. Listed below are the steps required to adjust the crimping force of the hand tool to obtain proper crimp conditions:

1. Hold the hand tool in the palm of your hand as shown in Figure 10. Using the index finger squeeze the link towards the top of the hand tool frame. This will release the preload adjustment wheel.
2. Rotate the setting wheel counter-clockwise (CCW) to increase handle force. The numbers will display higher. To decrease handle force rotate the setting wheel clockwise (CW).
3. Release the link to lock the setting wheel in place.
4. Check the crimp specifications or conduct a pull test after tool handle preload force is adjusted.

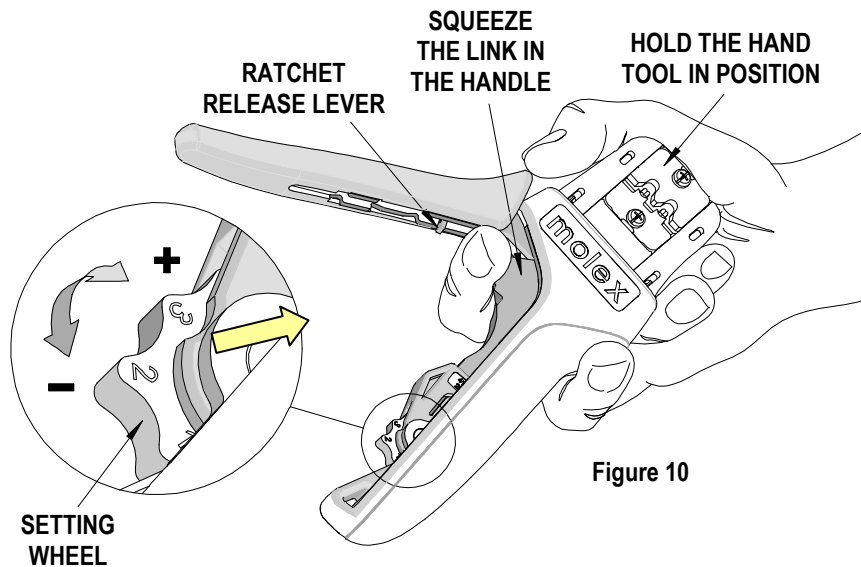


Figure 10

Warranty

This tool is for electrical terminal crimping purposes only. This tool is made of the best quality materials. All vital components are long life tested. All tools are warranted to be free of manufacturing defects for a period of 30 days. Should such a defect occur, we will repair or exchange the tool free of charge. This repair or exchange will not be applicable to altered, misused, or damaged tools. This tool is designed for hand use only. Any clamping, fixturing, or use of handle extensions voids this warranty.

CAUTION: Molex crimp specifications are valid only when used with Molex terminals and tooling.

CAUTIONS:

1. Manually powered hand tools are intended for low volume or field repair. This tool is **NOT** intended for production use. Repetitive use of this tool should be avoided.
2. Insulated rubber handles are not protection against electrical shock.
3. Wear eye protection at all times.
4. Use only the Molex terminals specified for crimping with this tool.

Certification

Molex does not certify or re-certify hand tools but rather supplies the following guidelines for customers to re-certify hand tools.

- % This tool is qualified to pull force only. To re-certify, crimp a terminal to a wire, which has been stripped 12.7mm (1/2") long, so there is no crimping of the insulation. Pull the terminal and wire at a rate no faster than 25mm (1.00") per minute. See the Molex web site for the Quality Crimp Handbook for more information on pull testing.
- % If the tool does not meet minimum pull force values, handle preload should be increased and the pull test rerun, (See How to Adjust Preload).
- % When the hand tool is no longer capable of achieving minimum pull force, it should be taken out of service and replaced.

PARTS LIST

Item Number	Order Number	Description	Quantity
REF	63811-8800	Hand Crimp Tool	Figure 13
1	63811-8875	Locator Assembly	1
2	63810-0104	Spring, Return	1
3	63810-0105	Spring, Ratchet	1

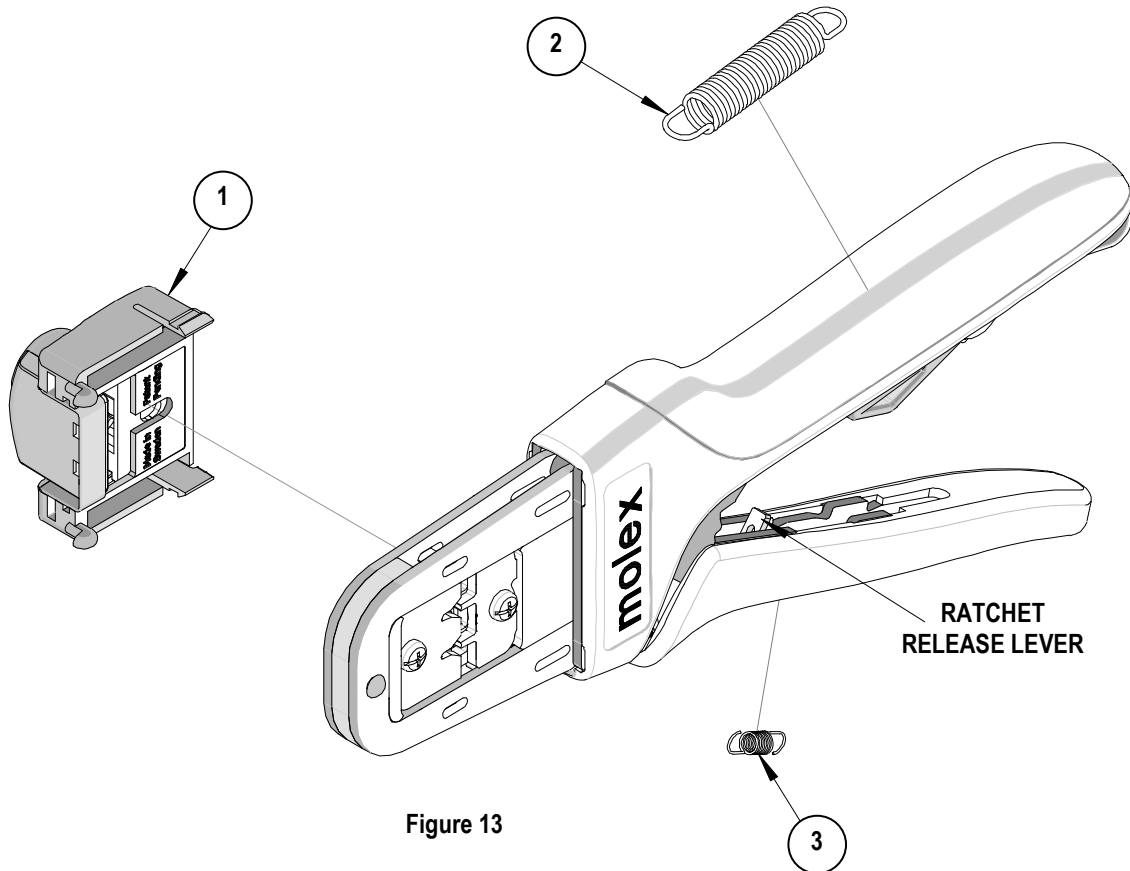


Figure 13

Americas Headquarters
 Lisle, Illinois 60532 U.S.A.
 1-800-78MOLEX
 amerinfo@molex.com

Far East North Headquarters
 Yamato, Kanagawa, Japan
 81-462-65-2324
 feninfo@molex.com

Far East South Headquarters
 Jurong, Singapore
 65-6-268-6868
 fesinfo@molex.com

European Headquarters
 Munich, Germany
 49-89-413092-0
 eurinfo@molex.com

Corporate Headquarters
 2222 Wellington Ct.
 Lisle, IL 60532 U.S.A.
 630-969-4550
 Fax: 630-969-1352

Visit our Web site at <http://www.molex.com>