

IN421
Contractor® Flashlight



Specifications

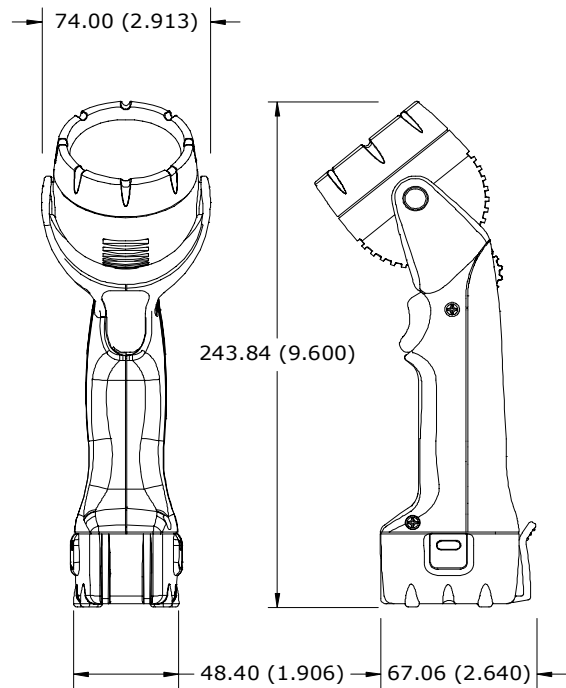
Designation: Energizer Flashlight
Power Source: Four AA Size Batteries (ANSI/NEDA 15 Series)
Configuration: Series - Parallel Circuit
Lamp: No. KPR-102 (Rated at 2.4V, 0.7A)
Lamp Life: Rated at 15 Hours
Lamp Output: Rated at 16.5 Lumens
Typical Weight: 181 grams (6.4 oz.) (without batteries)

Features

- Swivel Head Rotates 180°
- Belt Clip
- Trigger Switch
- Soft Ergonomic Grip
- Krypton Bulb

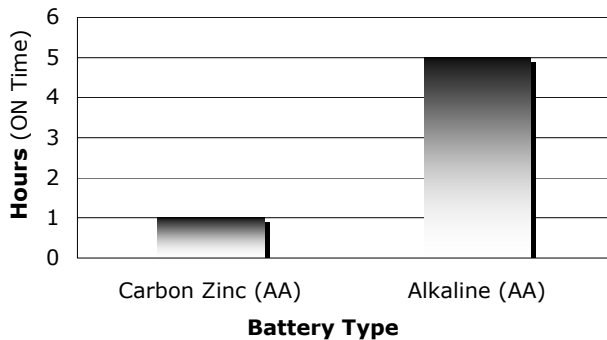
Physical Dimensions

mm (inches)



Typical Battery Service

350 mA Continuous
at 21°C (70°F)



Typical Battery Service to 0.9V (per battery) at 21°C (70°F)

Schedule	Battery Type	Hours (ON Time)
350 mA Continuous	1215	1.0
350 mA Continuous	E91	5.0

Important Notice

This datasheet contains information specific to flashlights manufactured at the time of its publication.
Contents herein do not constitute a warranty.
 Copyright Eveready Battery Co. Inc. - All Rights Reserved