

CLED2D
(4) LED Flashlight



Specifications

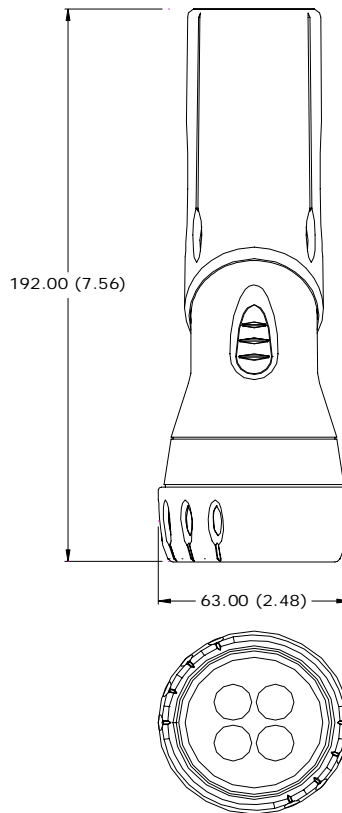
Designation: Energizer Flashlight
Power Source: Two D Size Batteries (ANSI/NEDA 13 Series)
Lamp: LED (4)
(Rated at 3.6V, 0.02A)
Lamp Life: Rated at Lifetime
Lamp Output: Rated at 5.6 Candela
Typical Weight: 150 grams (5.3 oz.) (without batteries)

Features

- (4) Superbright White LED's
- Soft Touch Rubber Jacket for Body and Lens Hood
- 2D Cells (extra long run time)
- New Reflector and Lens
- Modern Styling and Colors

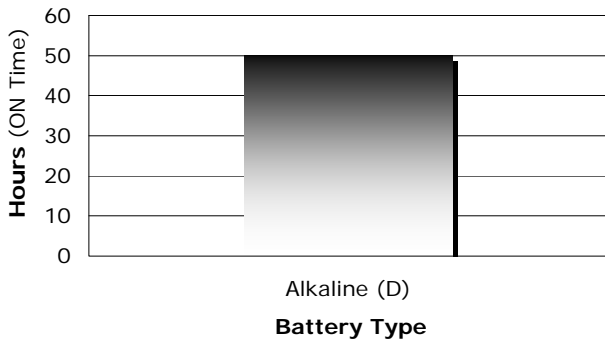
Physical Dimensions

mm (inches)



Typical Battery Service

Continuous
at 21°C (70°F)



Typical Battery Service to end of useable light at 21°C (70°F)

<u>Schedule</u>	<u>Battery Type</u>	<u>Hours (ON Time)</u>
Continuous	E95	50

Important Notice

This datasheet contains information specific to flashlights manufactured at the time of its publication.
Contents herein do not constitute a warranty.
Copyright Eveready Battery Co. Inc. - All Rights Reserved