



TELECOMMUNICATION COUPLING MINIATURE ENCAPSULATED TRANSFORMER DESIGNED TO OPERATE 50mW MAX IN PRIMARY AND REFLECT A PRIMARY SOURCE IMPEDANCE OF APPROXIMATELY 600Ω WITH 600Ω LOAD ON SECONDARY.

MODEL NUMBER
MET-46

REV. Status

- REVISION B
01/30/92 TS
- REVISION C
TEMECULA WAS
CARSON
ADDED PM32-M
& MICROTRAN
11/06/05 TS
- REVISION D
REV'D TITLE
03/07/96 TS
- REVISION E
ADDED RoHS
12/08/05 MP
- REVISION F
NOTE 5: DELETED
DC3mA
05/05/06 MP

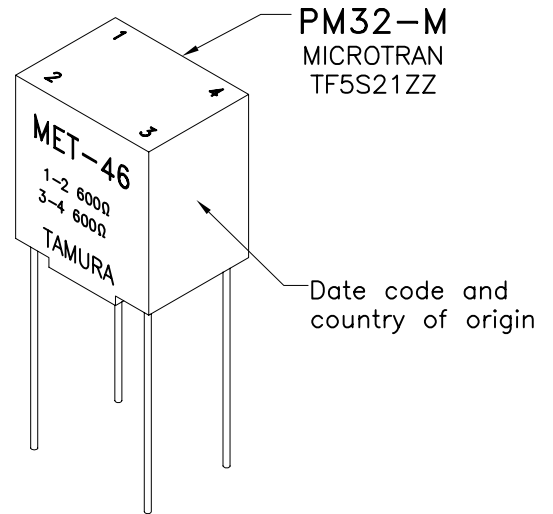
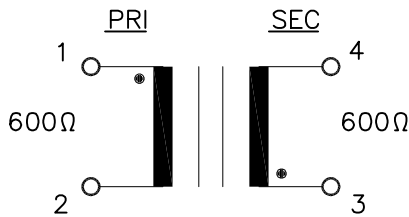
A. Electrical Specifications (@ 20 ° C)

1. Pri Source Impedance; 600Ω
2. Sec Load Impedance; 600Ω
3. Pri DC Current; 3 mA MAX
4. Operating Level; 50 mW MAX @ 300 Hz
5. Frequency Response (relative to 1 KHz);
±1.0 dB, @ 300 Hz to 3.5 KHz, 0dBm
6. Longitudinal Balance; 60 dB MIN @ 1 KHz
7. DC Resistance;
(1-2) 85Ω MAX
(3-4) 110Ω MAX
8. Turns Ratio; (1-2) : (3-4) = 1 : 1.00 ±2
9. Dielectric Strength;
1500 Vrms (10 mA peak MAX) 1 minute @ Pri - Sec

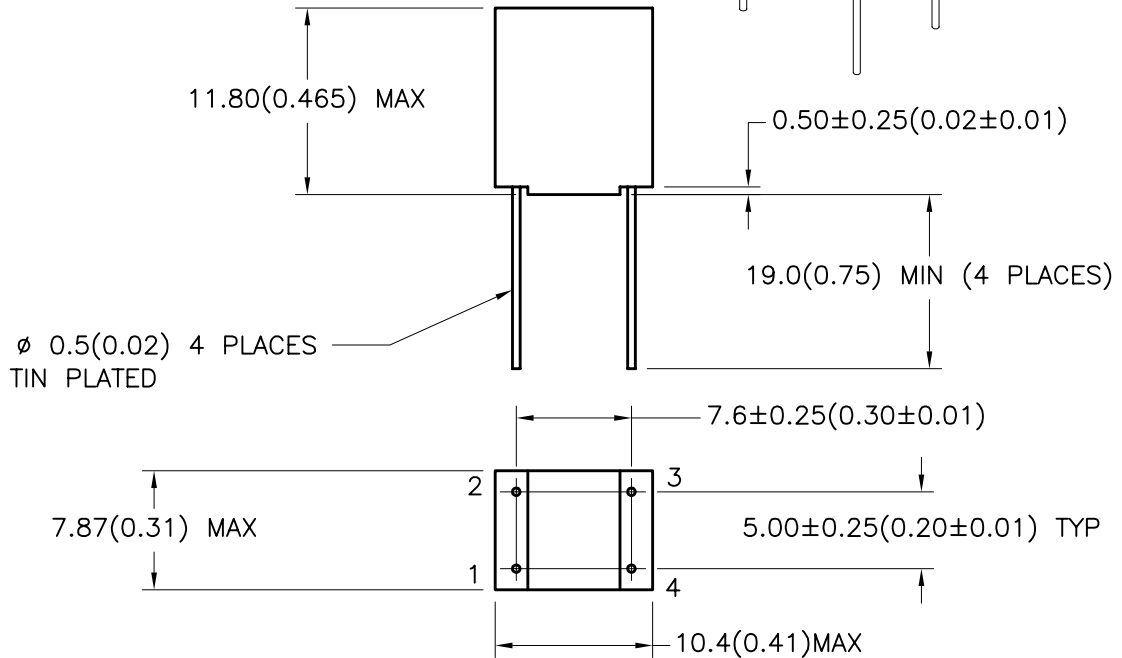


B. Marking; MET-46, TAMURA, Primary and Secondary Impedance, pin numbers, PM32-M, MICROTRAN, TF5S21ZZ, 196-date code and country of origin

C. Schematic Diagram



D. Mechanical Specifications



TOLERANCES (mm)	
≤ 4	± 0.2
4 ≤ 20	± 0.3
20 ≤ 50	± 0.4

PREPARED BY:
K. BRENNAN

ENGINEER:
M. PITCHAI

QUALITY CONTROL:
T. CLEM

APPROVED:
Y. SEKIGUCHI

DWG CONTROL NO. P-A1-10302 ACAD\MET\A1103021.DWG	REV F	AUDIO COUPLING MINIATURE ENCAPSULATED TRANSFORMER
CONTENTS OF THIS DRAWING ARE SUBJECT TO CHANGE WITHOUT PRIOR NOTICE		TAMURA CORPORATION OF AMERICA 43352 BUSINESS PARK DRIVE, TEMECULA, CA. 92590-6624 (951) 699-1270 FAX 9516769482

MET-46		
MODEL SPECIFICATION		
DIM: mm(In)	SCL: 2/1	SH: 1 OF 1

PROPRIETARY NOTICE: THIS DRAWING PRINT OR DOCUMENT AND SUBJECT MATTER DISCLOSED HEREIN ARE PROPRIETARY ITEMS TO WHICH TAMURA RETAINS THE EXCLUSIVE RIGHT OF DISSEMINATION, REPRODUCTION, MANUFACTURE AND SALE. THIS DRAWING, PRINT OR DOCUMENT IS SUBMITTED IN CONFIDENCE FOR CONSIDERATION BY THE RECIPIENT ALONE UNLESS PERMISSION FOR FURTHER DISCLOSURE IS EXPRESSLY GRANTED IN WRITING.