



FCC68 TELECOMMUNICATIONS COUPLING TRANSFORMER 600:600

REV. Status

REVISION -  
01/09/92 HA

REVISION A  
TEMECULA  
WAS CARSON  
REVISED NP  
ADDED T2104  
MICROTRAN  
10/05/95 TS

REVISION B  
NEW FORMAT  
07/08/98 TS

REVISION C  
ADDED RoHS.  
UL1459 WAS  
UL1863.  
DIM 20.3(0.799)  
WAS 19.8(0.781)  
10/17/06 MP

A. Electrical Specifications (@ 25° C)

1. Pri Source Impedance; 600Ω
2. Sec Load Impedance; 600Ω
3. Operating Level; -45dBm to +7dBm
4. Insertion Loss; 1.2dB MAX @ 1KHz, 0dBm
5. Frequency Response; ±0.5dB 300Hz to 3.5KHz @ 0dBm
6. Primary Impedance; 600Ω ±10% @ 300Hz to 3.5KHz, 0dBm
7. Total Harmonic Distortion; 0.5% MAX @ 300Hz to 3.5KHz, 0dBm
8. Longitudinal Balance; 60dB MIN @ 200Hz to 4KHz
9. DC Resistance; (1-3)= 36Ω ±20% (4-6)= 50Ω ±20%
10. Turns Ratio; (1-3) : (4-6) = 1 : 1.033 ±2%
11. Dielectric Strength; 1500Vrms 1 minute @ Pri to Sec, Pri to Core 1000Vrms 1 minute @ Sec to Core



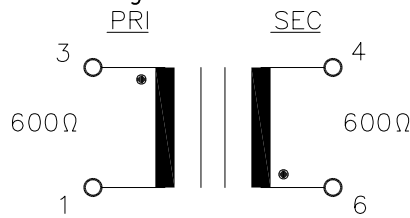
MODEL NUMBER  
TTC-110



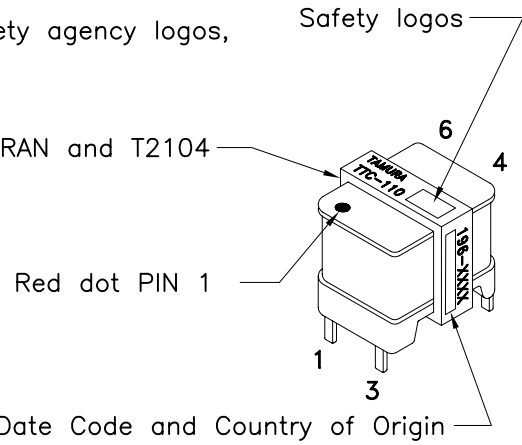
B. Marking; TTC-110, TAMURA, T2104, MICROTRAN, safety agency logos, 196-date code and country of origin

C. Safety; CSA-22.2 No. 66-M1988 File No. LR81383  
UL 1459 File No. E142035

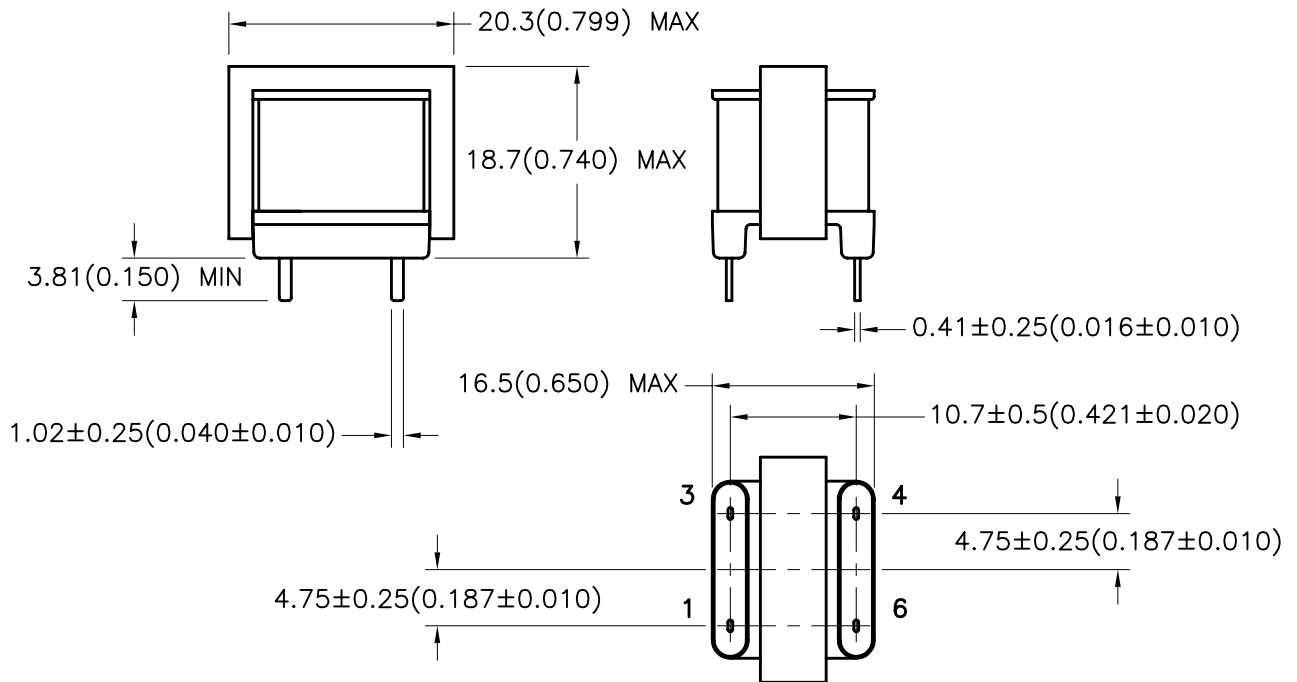
D. Schematic Diagram



MICROTRAN and T2104



E. Mechanical Specifications



PREPARED BY:

K. BRENNAN

ENGINEER:

M. PITCHAI

QUALITY CONTROL:

T. CLEM

APPROVED:

Y. SEKIGUCHI

DWG CONTROL NO. P-A1-10525  
ACAD/TTC/A1105251.DWG

REV C

TELECOMMUNICATION COUPLING TRANSFORMER

**TAMURA CORPORATION OF AMERICA**  
43352 BUSINESS PARK DRIVE, TEMECULA, CA. 92590-6624  
(951) 699-1270 FAX 9516769482

**TTC-110**  
MODEL SPECIFICATION  
DIM: mm(In) SCL: 1/1 SH: 1 OF 1

PROPRIETARY NOTICE: THIS DRAWING PRINT OR DOCUMENT AND SUBJECT MATTER DISCLOSED HEREIN ARE PROPRIETARY ITEMS TO WHICH TAMURA RETAINS THE EXCLUSIVE RIGHT OF DISSEMINATION, REPRODUCTION, MANUFACTURE AND SALE. THIS DRAWING, PRINT OR DOCUMENT IS SUBMITTED IN CONFIDENCE FOR CONSIDERATION BY THE RECIPIENT ALONE UNLESS PERMISSION FOR FURTHER DISCLOSURE IS EXPRESSLY GRANTED IN WRITING.