

REV. Status

REVISION -
08/04/94 TS

REVISION A
T.H.D. -82dB TYP
WAS -76dB MAX
UPDATED AGENCY
APPROVALS AND
DIMENSIONS
11/18/94 TS

REVISION B
NEW FORMAT
06/02/98 TS

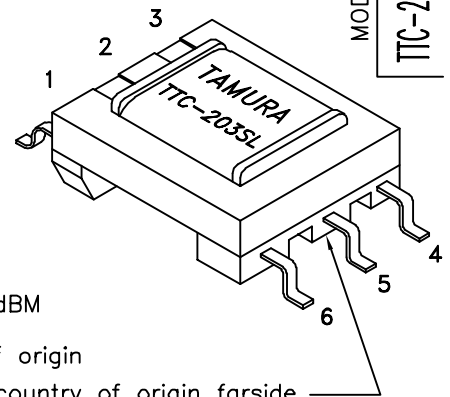
REVISION C
ADDED PART
NUMBER TSL203
08/15/01 MP

SURFACE MOUNT TELECOMMUNICATIONS TRANSFORMER

- A. Electrical specifications (@ 25° C)
1. Pri source impedance; 600 Ω
 2. Sec load impedance; 346 Ω
 3. MAX output power; 3.6dBm (2.3mW)
 4. Frequency response; +0.15, -0.35dB 300Hz to 3.5KHz
 5. DC unbalance; 0mA
 6. Return loss; 25dB MIN @ 300Hz to 3.5KHz
 7. Insertion loss; 2.7dB ±0.4dB @ 1KHz
 8. Longitudinal balance; 60dB MIN @ 200Hz to 4KHz
 9. DC resistance;
 - (1-3) = 127 Ω ±15%
 - (4-6) = 150 Ω ±15%
 10. Turns ratio;
 - (1-3) : (4-6) = 1 : 1.00 ±2%
 11. Dielectric strength;
 - 1000Vrms 1 minute @ Pri to Sec, Pri to Core
 - 500Vrms 1 minute @ Sec to Core
 12. Total harmonic distortion; -82dB TYP @ 600Hz, -10dBm



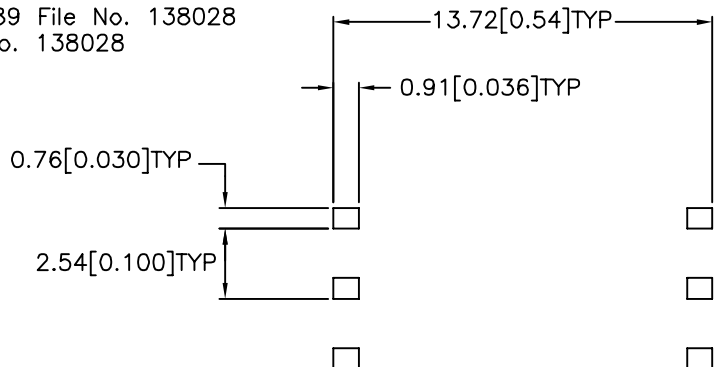
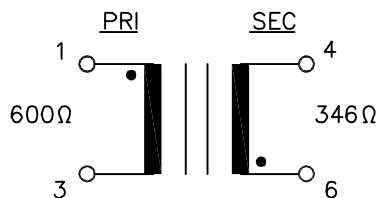
MODEL NUMBER
TTC-203SL OR TSL203



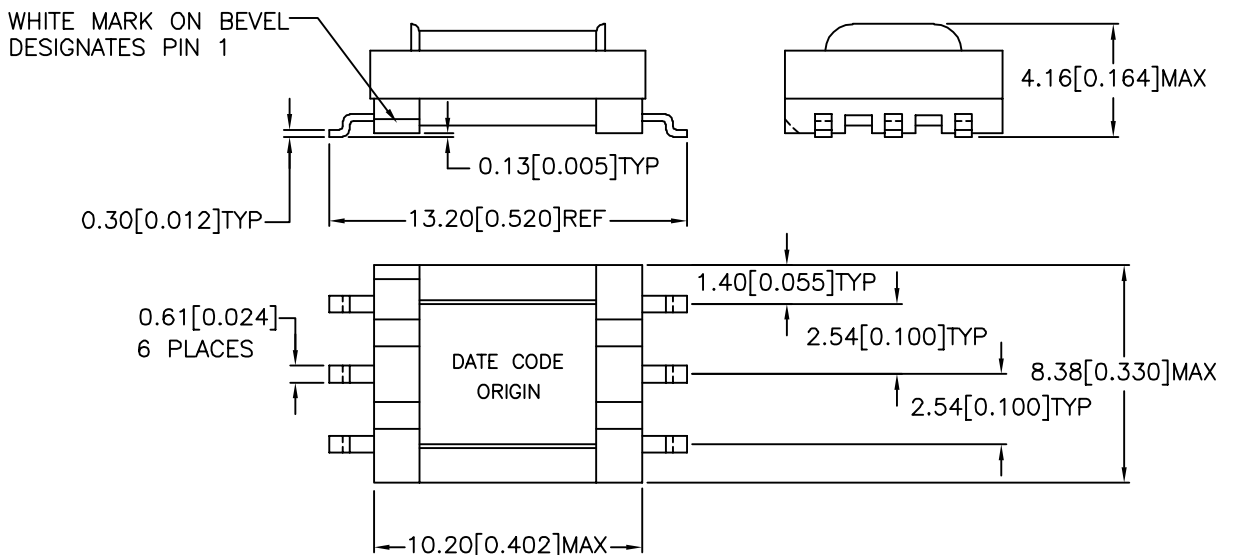
- B. Marking; TTC-203SL, TAMURA, date code and country of origin or TSL203, TAMURA and date code Date code and country of origin farside

- C. Safety; CSA-C22.2 No. 950-M89 File No. 138028
UL1459, UL1950 File No. 138028

D. Schematic diagram



- E. Mechanical specifications
All dimensions shown are nominal unless otherwise specified



PREPARED BY:

D. Rund
ENGINEER:

M. Pitchai

QUALITY CONTROL:

D. Kelley

APPROVED:

D. Kelley

DWG CONTROL NO.
P-A1-11084
ACAD\TTC\A1110841.DWG

REV
C

TELECOMMUNICATION SURFACE MOUNT
DRY COUPLING TRANSFORMER

TAMURA CORPORATION OF AMERICA
43352 BUSINESS PARK DRIVE, TEMECULA, CA. 92590-6624
(909) 699-1270 FAX 9096769482

TTC-203SL OR TSL203

MODEL SPECIFICATION

DIM: mm(in) SCL: 4/1 SH: 1 OF 1

PROPRIETARY NOTICE: THIS DRAWING PRINT OR DOCUMENT AND SUBJECT MATTER DISCLOSED HEREIN ARE PROPRIETARY ITEMS TO WHICH TAMURA RETAINS THE EXCLUSIVE RIGHT OF DISSEMINATION, REPRODUCTION, MANUFACTURE AND SALE. THIS DRAWING, PRINT OR DOCUMENT IS SUBMITTED IN CONFIDENCE FOR CONSIDERATION BY THE RECIPIENT ALONE UNLESS PERMISSION FOR FURTHER DISCLOSURE IS EXPRESSLY GRANTED IN WRITING.