

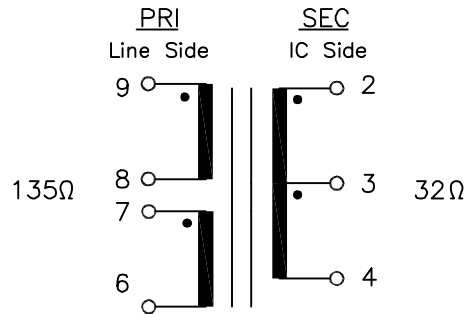
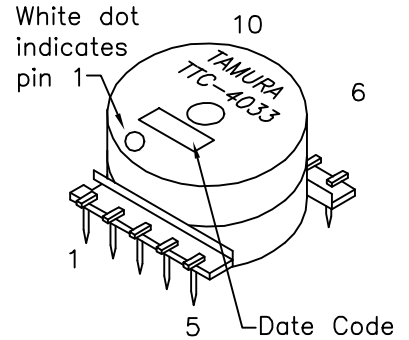
REV. Status

PRELIMINARY  
02/23/00 MP

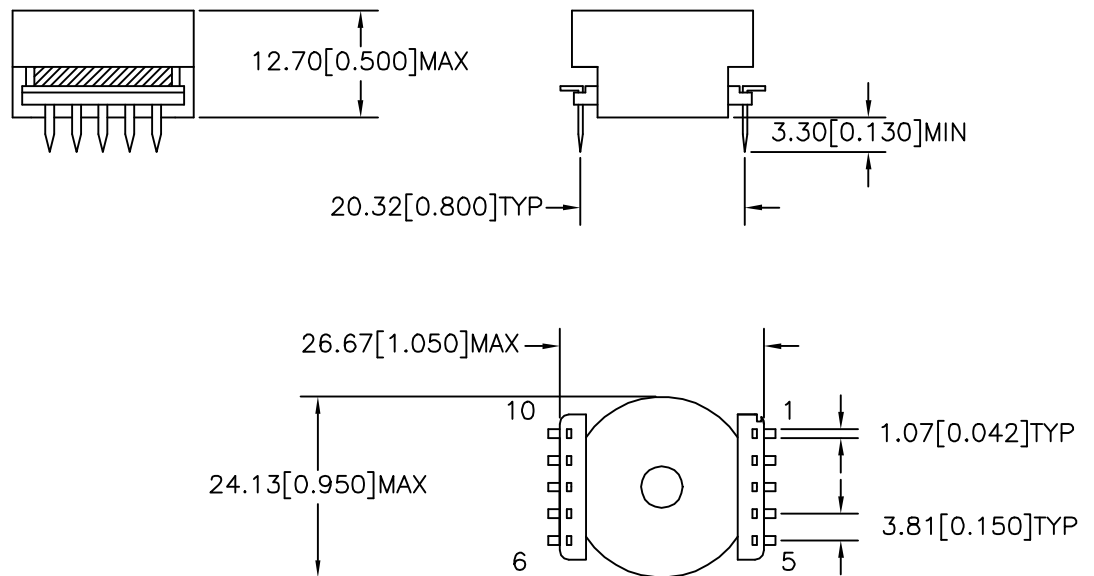
HDSL transformer designed for use with Brooktree BT8960 chipset at 416Kbps rates

- A. Electrical Specifications (@ 25°C)
  1. Primary (Line side) Impedance; 135Ω
  2. Secondary (IC side) Impedance; 32Ω
  3. Longitudinal Balance; 55dB TYP @ 104KHz, 0dBm
  4. Return Loss; 16.5dB MIN @ 40KHz to 320KHz
  5. Total Harmonic Distortion; -70dB TYP @ 104KHz, 6.0Vp-p
  6. Primary Open Circuit Inductance; 3.5mH ±10% @ 10KHz, 0.1Vrms  
Measured (9-6) with 8 and 7 shorted
  7. Leakage Inductance; 12μH MAX @ 100KHz, 0.1Vrms  
Measured (9-6) with 8 & 7, and 4 & 2 shorted
  8. DC Current; 70mA
  9. DC Resistance;
    - (2-4) = 2.2Ω MAX
    - (6-7) = 2.2Ω MAX
    - (8-9) = 2.2Ω MAX
  10. Turns Ratio; (7-6):(9-8)=1:1.00±2%  
(2-4):(9-6)=1:2.00±2%  
7 & 8 shorted
  11. Dielectric Strength; 1875Vrms 1 second @ Pri to Sec
- B. Marking; TTC-4033, TAMURA, date code and country of origin
- C. Safety: Complies with UL1950
- D. Schematic

MODEL NUMBER  
**TTC-4033**



E. Mechanical Specifications



PREPARED BY:

D. Rund  
ENGINEER:  
M. Pitchai

DWG CONTROL NO.  
P-A1-12365  
ACAD\TTC\A1123651.DWG

REV  
**PRE**

HDSL  
TRANSFORMER

**TTC-4033**

QUALITY CONTROL:  
D. Kelley

CONTENTS OF THIS DRAWING ARE SUBJECT TO CHANGE WITHOUT PRIOR NOTICE

**TAMURA CORPORATION OF AMERICA**  
43352 BUSINESS PARK DRIVE, TEMECULA, CA. 92590-6624  
(909) 699-1270 FAX 9096769482

MODEL SPECIFICATION

DIM: mm(in) SCL: 2/1 SH: 1 OF 1

APPROVED:  
J. Coleman

PROPRIETARY NOTICE: THIS DRAWING PRINT OR DOCUMENT AND SUBJECT MATTER DISCLOSED HEREIN ARE PROPRIETARY ITEMS TO WHICH TAMURA RETAINS THE EXCLUSIVE RIGHT OF DISSEMINATION, REPRODUCTION, MANUFACTURE AND SALE. THIS DRAWING, PRINT OR DOCUMENT IS SUBMITTED IN CONFIDENCE FOR CONSIDERATION BY THE RECIPIENT ALONE UNLESS PERMISSION FOR FURTHER DISCLOSURE IS EXPRESSLY GRANTED IN WRITING.