



THREE FLANGE DUAL PRIMARY 10VA PC BOARD POWER TRANSFORMER



MODEL NUMBER
PL10-XX-130B

REV. Status
 REVISION - 10/22/99 TS
 REVISION A REV'D SCHEMATIC SEE PG. 2 11/17/99 TS
 REVISION B ADDED RoHS & UPDATED LABELS DELETED CSA# LR69223 02/15/06 MP

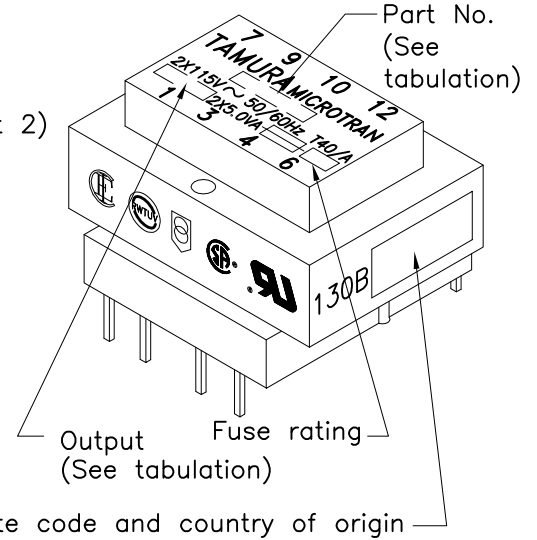
A. Electrical Specifications (@ 25°C)

1. Maximum Power; 10VA
2. Input Voltage and Frequency; 115/230V 50/60Hz
3. Voltage Regulation; 25% TYP @ full load to no load
4. Temperature Rise; 30°C TYP (45°C MAX allowed)
5. Insulation Resistance; 100MΩ MIN @ 500VDC, Pri to Sec, Pri to Core, Sec to Core
6. Hi-Pot; 3500Vrms 1 minute @ Pri to Sec
1500Vrms 1 minute @ Pri to Core
1500Vrms 1 minute @ Sec to Core

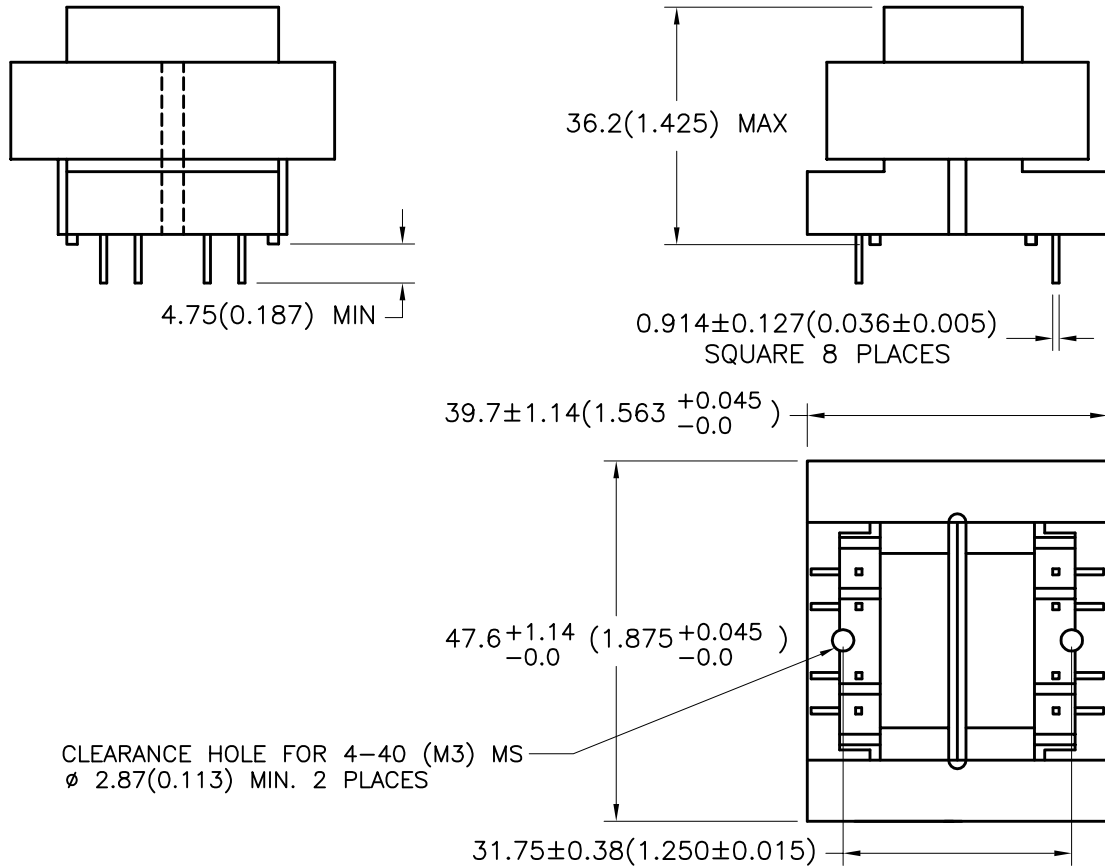
B. Marking; TAMURA, MICROTRAN, part number (see sheet 2) date code, country of origin, terminal number and input and output ratings (see sheet 2)

C. Safety:

CSA File No. LR69222
 UL 1411 File No. E138028 Construction only
 UL 506, General Purpose, File No. E79781.
 Insulation Class B (130°C) File No. E92957.
 TUV File 810/89 (EN60950 and VDE 0551)



D. Mechanical Specifications:



TOLERANCES (mm)	
≤ 4	± 0.2
4 ≤ 20	± 0.3
20 ≤ 50	± 0.4

PREPARED BY:

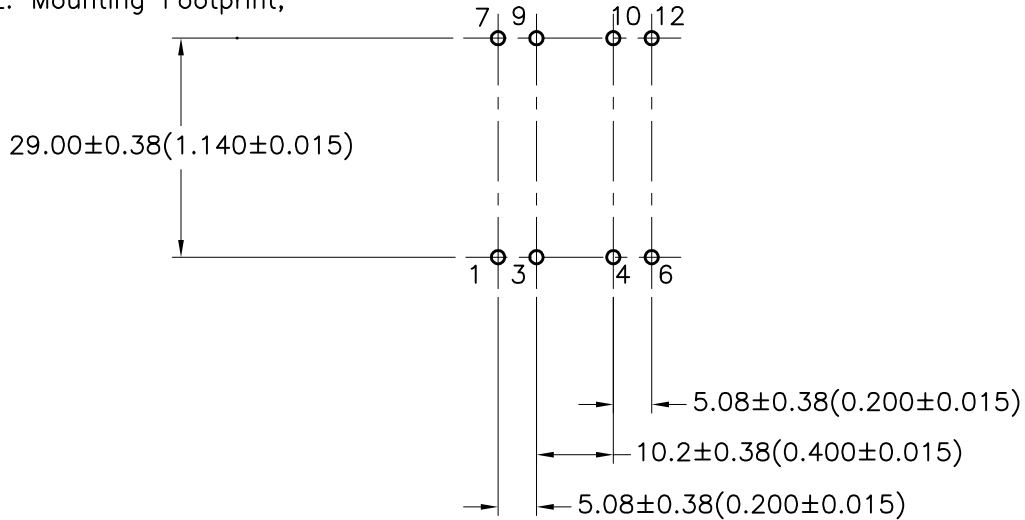
K. BRENNAN

NOTE: Board washing is not recommended for these parts

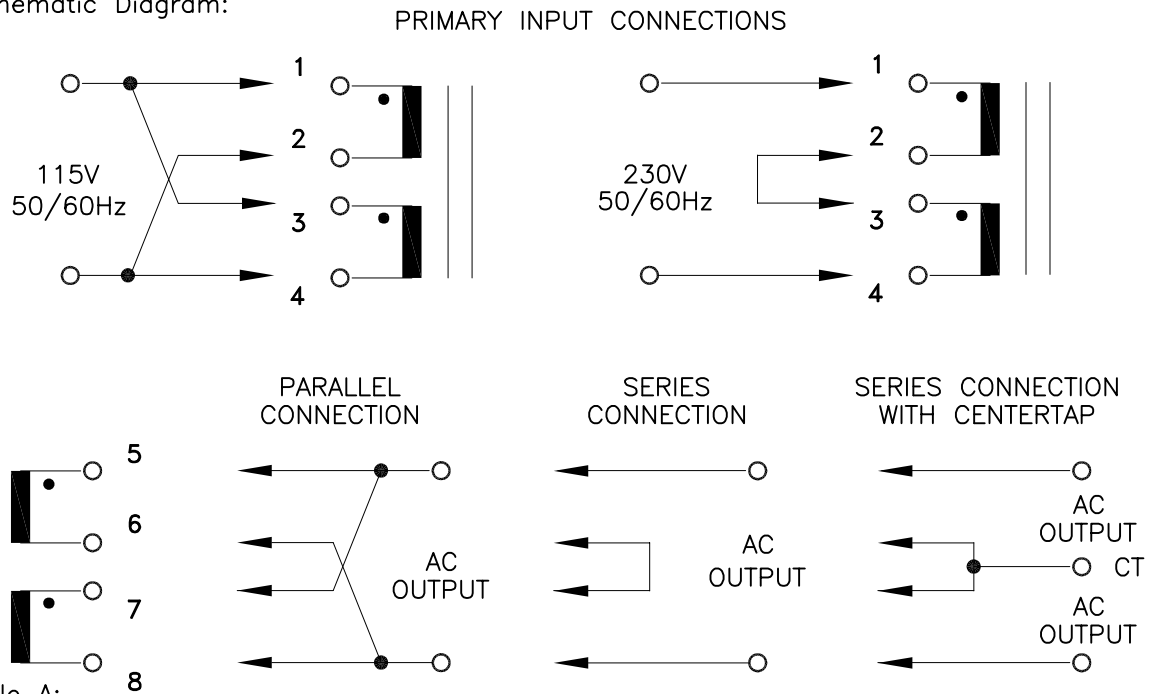
ENGINEER: M. PITCHAI	DWG CONTROL NO. P-A1-12227 ACAD\MXFMR\A1122271.DWG	REV B	POWER TRANSFORMER	PL10-XX-130B
QUALITY CONTROL: T. CLEM	CONTENTS OF THIS DRAWING ARE SUBJECT TO CHANGE WITHOUT PRIOR NOTICE			MODEL SPECIFICATION
APPROVED: Y. SEKIGUCHI	TAMURA CORPORATION OF AMERICA 43352 BUSINESS PARK DRIVE, TEMECULA, CA. 92590-6624 (951) 699-1270 FAX 9516769482			DIM: mm(In) SCL: 1/1 SH: 1 OF 2

PROPRIETARY NOTICE: THIS DRAWING PRINT OR DOCUMENT AND SUBJECT MATTER DISCLOSED HEREIN ARE PROPRIETARY ITEMS TO WHICH TAMURA RETAINS THE EXCLUSIVE RIGHT OF DISSEMINATION, REPRODUCTION, MANUFACTURE AND SALE. THIS DRAWING, PRINT OR DOCUMENT IS SUBMITTED IN CONFIDENCE FOR CONSIDERATION BY THE RECIPIENT ALONE UNLESS PERMISSION FOR FURTHER DISCLOSURE IS EXPRESSLY GRANTED IN WRITING.

E. Mounting Footprint;



F. Schematic Diagram:



G. Table A:

PART NO.	PARALLEL CONNECTION		SERIES CONNECTION		OUTPUT
	AC VOLTS	RMS AMPS	AC VOLTS	RMS AMPS	
PL10-10-130B	5.0	2.0	10.0CT	1.0	2X5.0V
PL10-12-130B	6.3	1.6	12.6CT	0.8	2X6.3V
PL10-16-130B	8.0	1.25	16.0CT	0.62	2X8.0V
PL10-20-130B	10.0	1.0	20.0CT	0.5	2X10.0V
PL10-24-130B	12.0	0.84	24.0CT	0.42	2X12.0V
PL10-28-130B	14.0	0.72	28.0CT	0.36	2X14.0V
PL10-36-130B	18.0	0.56	36.0CT	0.28	2X18.0V

PREPARED BY:

K. BRENNAN

ENGINEER:

M. PITCHAI

QUALITY CONTROL:

T. CLEM

APPROVED:

Y. SEKIGUCHI

DWG CONTROL NO.
P-A1-12227
ACAD\MXFMR\A112272.DWG

REV
B

POWER
TRANSFORMER

TAMURA CORPORATION OF AMERICA
43352 BUSINESS PARK DRIVE, TEMECULA, CA. 92590-6624
(951) 699-1270 FAX 9516769482

PL10-XX-130B

MODEL SPECIFICATION
DIM: mm(In) SCL: 1/1 SH: 2 OF 2

PROPRIETARY NOTICE: THIS DRAWING PRINT OR DOCUMENT AND SUBJECT MATTER DISCLOSED HEREIN ARE PROPRIETARY ITEMS TO WHICH TAMURA RETAINS THE EXCLUSIVE RIGHT OF DISSEMINATION, REPRODUCTION, MANUFACTURE AND SALE. THIS DRAWING, PRINT OR DOCUMENT IS SUBMITTED IN CONFIDENCE FOR CONSIDERATION BY THE RECIPIENT ALONE UNLESS PERMISSION FOR FURTHER DISCLOSURE IS EXPRESSLY GRANTED IN WRITING.