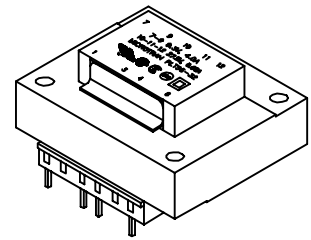


INTERNATIONAL POWER TRANSFORMER

A. Electrical Specifications (@ 25°C)

1. Maximum Power; 56VA
2. Input Voltage and Frequency; 115/230V 50/60Hz
3. Output Voltage; (7-9) 9.3V @ 4.0A Load
(10-12) 27.5V @ 0.68A Load
4. Voltage Regulation; 22% TYP @ full load to no load
5. Temperature Rise; 45°C TYP (50°C MAX allowed)
6. Insulation Resistance;
100MΩ MIN @ 500VDC, Pri to Sec, Pri to Core, Sec to Core
7. Hi-Pot; 3500Vrms 1 minute @ Pri to Sec
1500Vrms 1 minute @ Pri to Core
1500Vrms 1 minute @ Sec to Core
500Vrms 1 minute @ Sec to Sec



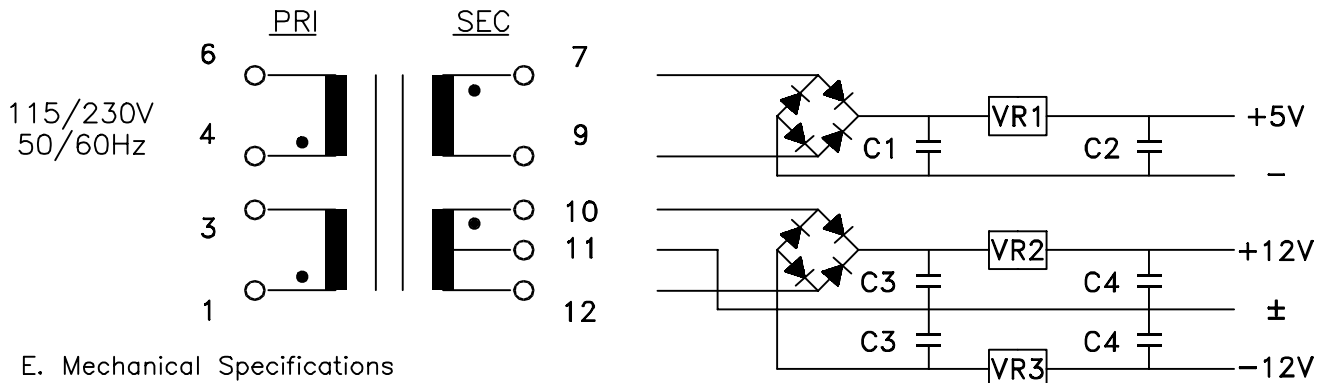
PLT56-32

B. Marking; MICROTRAN, PLT56-32, date code, country of origin, terminal numbers and input and output ratings

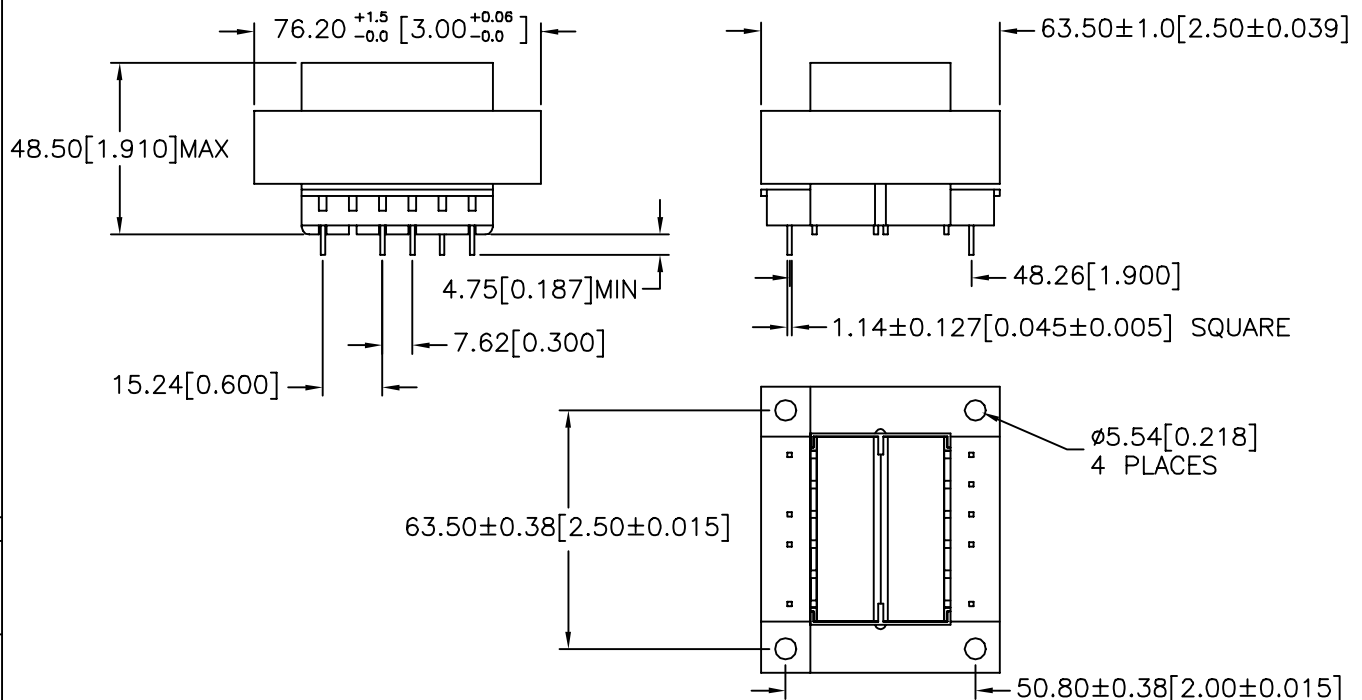
C. Safety:

- CSA File Nos. LR69222 and LR69223
- UL 1411 File No. E138028 Construction only
- UL 506, General Purpose, File No. E79781.
- TUV File 810/89 (EN60742, and VDE 0551)

D. Schematic Diagram;



E. Mechanical Specifications



TOLERANCES (mm)	
≤ 4	± 0.2
4 ≤ 20	± 0.3
20 ≤ 50	± 0.4

PREPARED BY:

D. Rund

ENGINEER:

T. Shiozawa

QUALITY CONTROL:

D. Kelley

APPROVED:

J. Coleman

DWG CONTROL NO.
P-A1-12518
ACAD\MXFMR\A1125181.DWG

REV
-

POWER
TRANSFORMER

TAMURA CORPORATION OF AMERICA

43352 BUSINESS PARK DRIVE, TEMECULA, CA. 92590-6624
(909) 699-1270 FAX 9096769482

PLT56-32

MODEL SPECIFICATION

DIM: INCH SCL: 1/2 SH: 1 OF 1

PROPRIETARY NOTICE: THIS DRAWING PRINT OR DOCUMENT AND SUBJECT MATTER DISCLOSED HEREIN ARE PROPRIETARY ITEMS TO WHICH TAMURA RETAINS THE EXCLUSIVE RIGHT OF DISSEMINATION, REPRODUCTION, MANUFACTURE AND SALE. THIS DRAWING, PRINT OR DOCUMENT IS SUBMITTED IN CONFIDENCE FOR CONSIDERATION BY THE RECIPIENT ALONE UNLESS PERMISSION FOR FURTHER DISCLOSURE IS EXPRESSLY GRANTED IN WRITING.