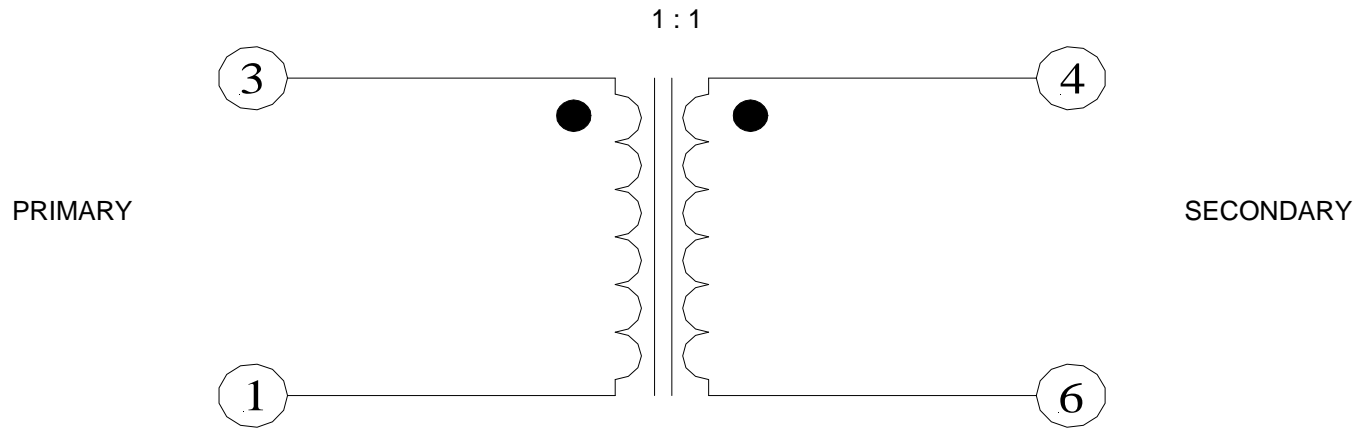




ELECTRICAL SCHEMATIC



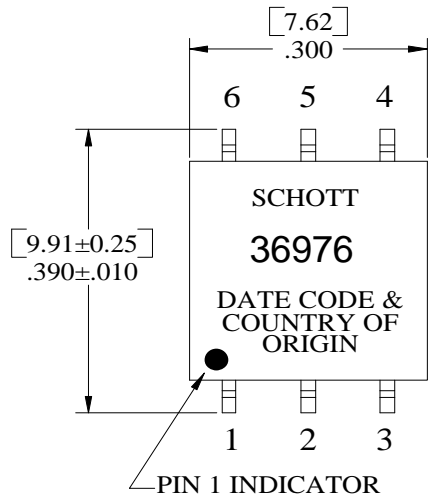
36976

DWG.  
No.

1			TMP		#####
REV	ECO#	DE	DWN	ALE	DATE
REVISIONS/APPROVAL					

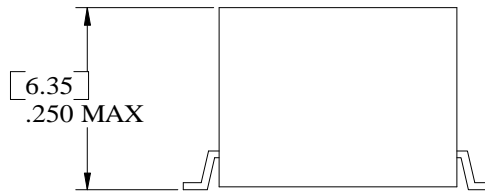
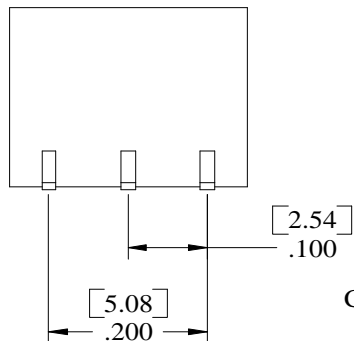
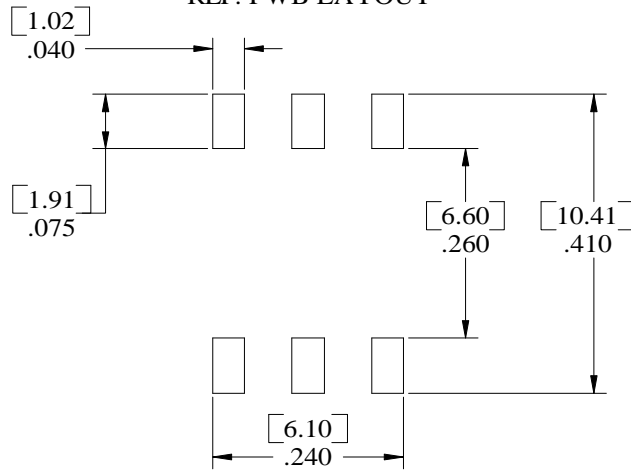
1000 PARKER LAKE ROAD WAYZATA, MN 55391 (952) 475-1173					
TITLE	T3 PACKAGE				
SIZE	CAGE CODE	SCALE	SHEET	DWG NO.	REV
A	80023	NONE	2 OF 4	36976	1

DIMENSIONAL OUTLINE



[mm]  
Inches

REF. PWB LAYOUT



COPLANARITY OF PINS IS LESS THEN OR EQUAL TO 0.004 [0.102]

36976

DWG.  
No.

1			TMP		#####
REV	ECO#	DE	DWN	ALE	DATE
REVISIONS/APPROVAL					

1000 PARKER LAKE ROAD WAYZATA, MN 55391 (952) 475-1173					
TITLE		T3 PACKAGE			
SIZE	CAGE CODE	SCALE	SHEET	DWG NO.	REV
A	80023	NONE	3 OF 4	36976	1