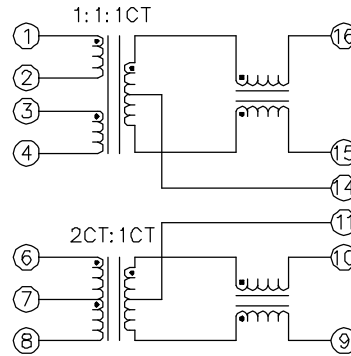


Electrical



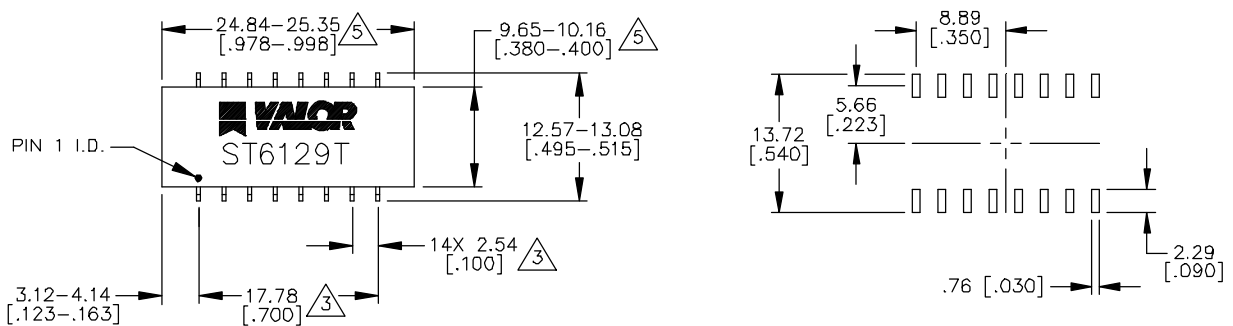
ELECTRICAL SPECIFICATIONS @ 25°C

<p> TURNS RATIO (1-2):(3-4):(16-15) TURNS RATIO (6-7-8 TO 10-11-9) OCL (1-2) = (3-4) = (16-15) OCL (10-9) HIPOT (1-4 TO 16-15) CONNECT 2-3 HIPOT (6-7-8 TO 10-11-9) LL (1-2 SHORT 16-15) LL (6-8 SHORT 10-9) CWW (1-2 TO 16-15) = (3-4 TO 16-15) CWW (6-8 TO 10-9) DCR (1-2) = (3-4) DCR (16-15) = (10-9) DCR (6-8) </p>	<p> : 1:1:1CT : 2CT:1CT : 350μH MIN @100KHz, 100mV, 8mAdC : 350μH MIN @100KHz, 100mV, 8mAdC : 1500VAC : 1500VAC : 1.0μH MAX @ 1MHz, 1V : 1.25μH MAX @ 1MHz, 1V : 25pF MAX @ 140KHz, 1V : 25pF MAX @ 140KHz, 1V : .9Ω MAX : 1.1Ω MAX : 1.1Ω MAX </p>
--	---

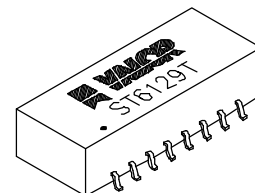
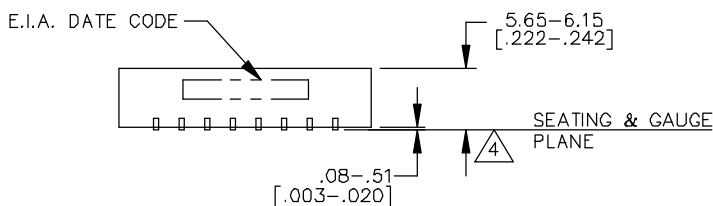
SCHEMATIC

T1, T2

Mechanical



RECOMMENDED
PAD LAYOUT



WEBSITE www.valorinc.com E-MAIL marketing@valorinc.com

NORTH AMERICA
tel 1-800-31 VALOR
fax 619-537-2525

ASIA/PACIFIC
tel +852-2953-1000
fax +852-2953-1333

EUROPE
tel +44-1727-824 875
fax +44-1727-824 898