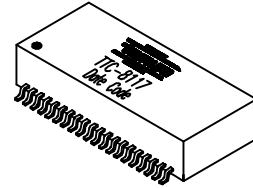


REV. Status
 PRELIMINARY
 01/09/01 LL



10/100 Base-T QUAD Magnetic Module Multi Port, 40 pin SMD

- Complies with IEEE 802.3 Standard
- Surface Mount Device withstands IR reflow profile process
- Operating temperature: 0°C to 70°C
- Enhanced Common Mode Attenuation

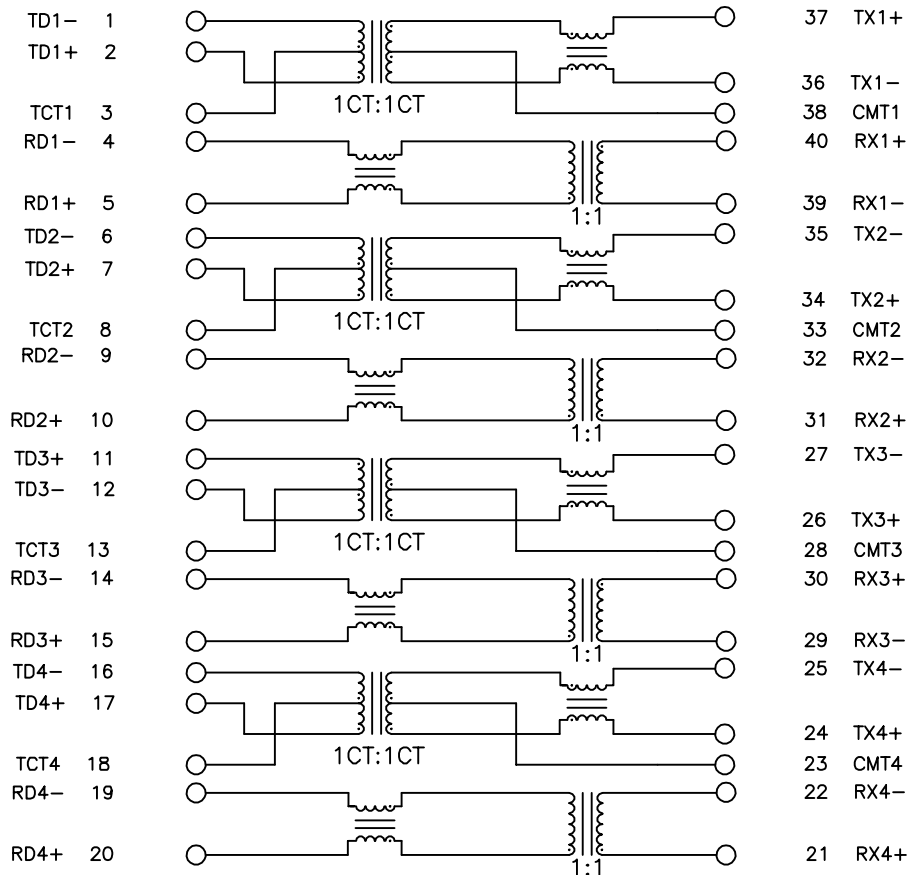


MODEL NUMBER
TTC-8117

PRELIMINARY

Electrical Specification @ 25°C

| Insertion Loss (dB Max) | Return Loss (dB Min) | | | CMRR (dB Min) | Crosstalk (dB Min) | OCL (μ H Min) | Hipot (Vrms) | Leakage L (μ H Max) | Cww (pF Max) |
|----------------------------|-------------------------|-----------|-----------|------------------|-----------------------|-----------------------|-----------------|-----------------------------|-----------------|
| | 0.1-30 MHz | 60 MHz | 80 MHz | | | | | | |
| 0.1-100 MHz | 0.1-30 MHz | 60 MHz | 80 MHz | 0.1-100 MHz | 0.1-100 MHz | 8mA DC Bias | 60 sec | 100KHz | 100KHz |
| -1.1 | -18 | -14 | -11 | -35 | -35 | 350 | 1500 | 0.5 | 25 |



PREPARED BY:

D. Rund

ENGINEER:

L. Le

QUALITY CONTROL:

D. Kelley

APPROVED:

J. Coleman

DWG CONTROL NO.
 P-A1-12708
 ACAD\TTC\A1127081.DWG

REV
PRE

10/100 Base-T QUAD Magnetic
 Module, Multi Port, 40 pin SMD

TAMURA CORPORATION OF AMERICA
 43352 BUSINESS PARK DRIVE, TEMECULA, CA. 92590-6624
 (909) 699-1270 FAX 9096769482

TTC-8117

MODEL SPECIFICATION

DIM: mm(In) SCL: none SH: 1 OF 2

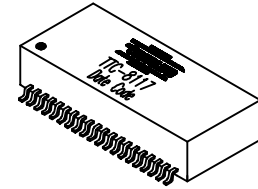
PROPRIETARY NOTICE: THIS DRAWING PRINT OR DOCUMENT AND SUBJECT MATTER DISCLOSED HEREIN ARE PROPRIETARY ITEMS TO WHICH TAMURA RETAINS THE EXCLUSIVE RIGHT OF DISSEMINATION, REPRODUCTION, MANUFACTURE AND SALE. THIS DRAWING, PRINT OR DOCUMENT IS SUBMITTED IN CONFIDENCE FOR CONSIDERATION BY THE RECIPIENT ALONE UNLESS PERMISSION FOR FURTHER DISCLOSURE IS EXPRESSLY GRANTED IN WRITING.

REV. Status
 PRELIMINARY
 01/09/01 LL

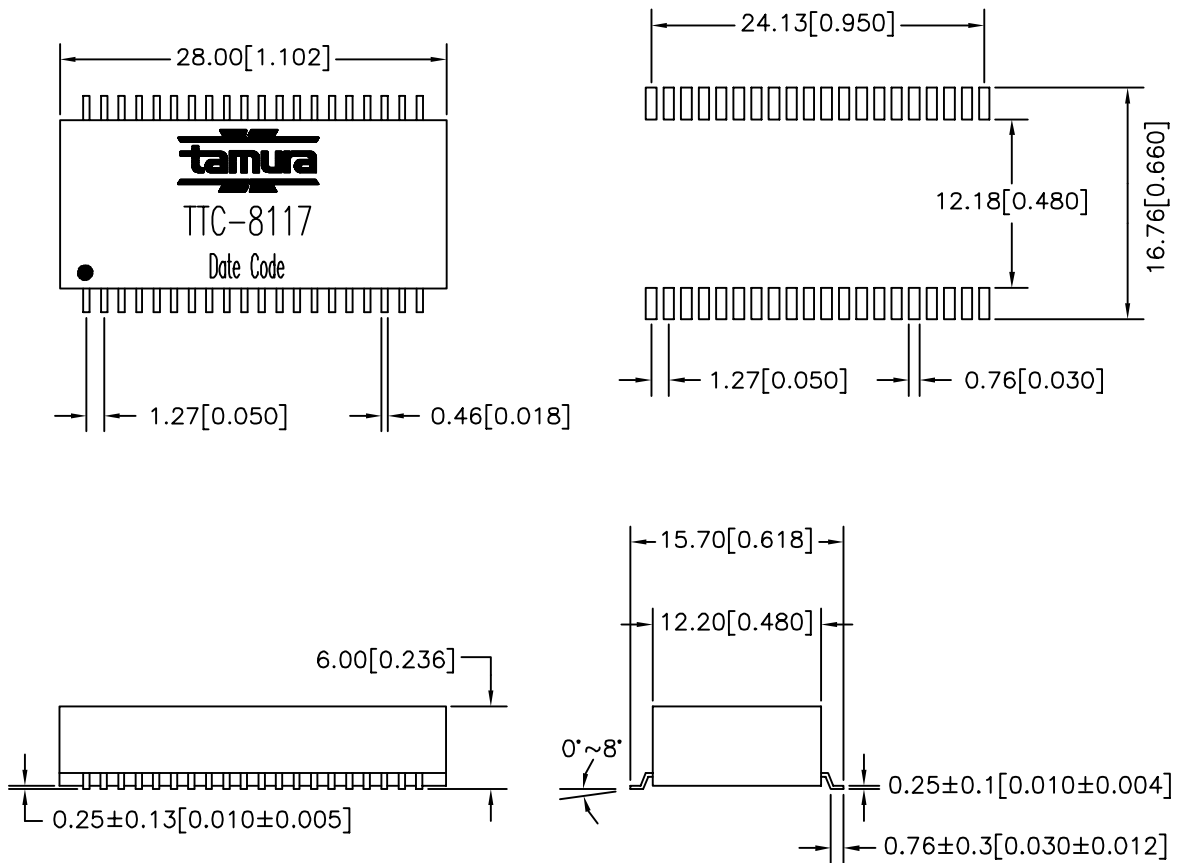


10/100 Base-T QUAD Magnetic Module
 Multi Port, 40 pin SMD

MODEL NUMBER
TTC-8117



PRELIMINARY



PREPARED BY:

D. Rund

ENGINEER:

L. Le

QUALITY CONTROL:

D. Kelley

APPROVED:

J. Coleman

NOTE: Unless otherwise specified, all dimensions are mm[in] with tolerance of ±0.25[0.010]

| | | | | |
|---|------------|--|---------------------|--|
| DWG CONTROL NO. P-A1-12708 ACAD\TTC\A1127082.DWG | REV PRE | 10/100 Base-T QUAD Magnetic Module, Multi Port, 40 pin SMD | TTC-8117 | |
| CONTENTS OF THIS DRAWING ARE SUBJECT TO CHANGE WITHOUT PRIOR NOTICE | | TAMURA CORPORATION OF AMERICA 43352 BUSINESS PARK DRIVE, TEMECULA, CA. 92590-6624 (909) 699-1270 FAX 9096769482 | MODEL SPECIFICATION | |
| | | DIM: mm(in) SCL: none SH: 2 OF 2 | | |

PROPRIETARY NOTICE: THIS DRAWING PRINT OR DOCUMENT AND SUBJECT MATTER DISCLOSED HEREIN ARE PROPRIETARY ITEMS TO WHICH TAMURA
 RETAINS THE EXCLUSIVE RIGHT OF DISSEMINATION, REPRODUCTION, MANUFACTURE AND SALE. THIS DRAWING, PRINT OR DOCUMENT IS SUBMITTED IN
 CONFIDENCE FOR CONSIDERATION BY THE RECIPIENT ALONE UNLESS PERMISSION FOR FURTHER DISCLOSURE IS EXPRESSLY GRANTED IN WRITING.