

REV. Status

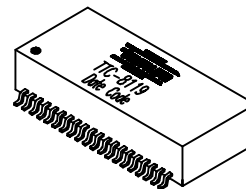
PRELIMINARY  
01/09/01 LL



# 10/100 Base-T QUAD Magnetic Module Multi Port, 40 pin SMD

MODEL NUMBER  
**TTC-8119**

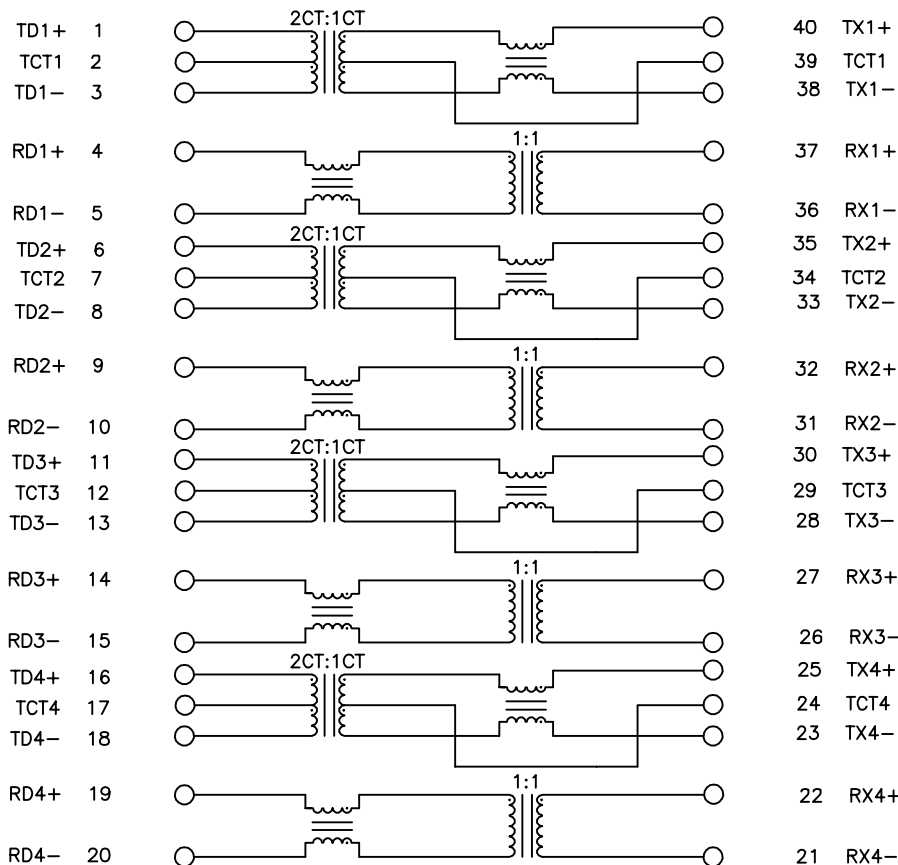
- Complies with IEEE 802.3 Standard
- Surface Mount Device withstands IR reflow profile process
- Operating temperature: 0°C to 70°C
- Enhanced Common Mode Attenuation



PRELIMINARY

### Electrical Specification @ 25°C

Insertion Loss (dB Max)	Return Loss (dB Min)			CMRR (dB Min)	Crosstalk (dB Min)	OCL ( $\mu$ H Min)	Hipot (Vrms)	Leakage L ( $\mu$ H Max)	Cww (pF Max)
	0.1-100 MHz	0.1-30 MHz	60 MHz						
-1.1	-18	-14	-11	-35	-35	350	1500	0.5	25



PREPARED BY:

D. Rund

ENGINEER:

L. Le

QUALITY CONTROL:

D. Kelley

APPROVED:

J. Coleman

DWG CONTROL NO.  
P-A1-12709  
ACAD\TTC\A1127091.DWG

REV  
PRE

10/100 Base-T QUAD Magnetic  
Module, Multi Port, 40 pin SMD

**TAMURA CORPORATION OF AMERICA**  
43352 BUSINESS PARK DRIVE, TEMECULA, CA. 92590-6624  
(909) 699-1270 FAX 9096769482

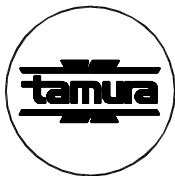
**TTC-8119**

MODEL SPECIFICATION

DIM: mm(In) SCL: none SH: 1 OF 2

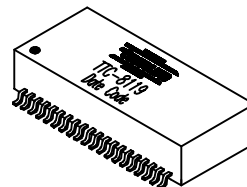
PROPRIETARY NOTICE: THIS DRAWING PRINT OR DOCUMENT AND SUBJECT MATTER DISCLOSED HEREIN ARE PROPRIETARY ITEMS TO WHICH TAMURA RETAINS THE EXCLUSIVE RIGHT OF DISSEMINATION, REPRODUCTION, MANUFACTURE AND SALE. THIS DRAWING, PRINT OR DOCUMENT IS SUBMITTED IN CONFIDENCE FOR CONSIDERATION BY THE RECIPIENT ALONE UNLESS PERMISSION FOR FURTHER DISCLOSURE IS EXPRESSLY GRANTED IN WRITING.

REV. Status  
 PRELIMINARY  
 01/09/01 LL

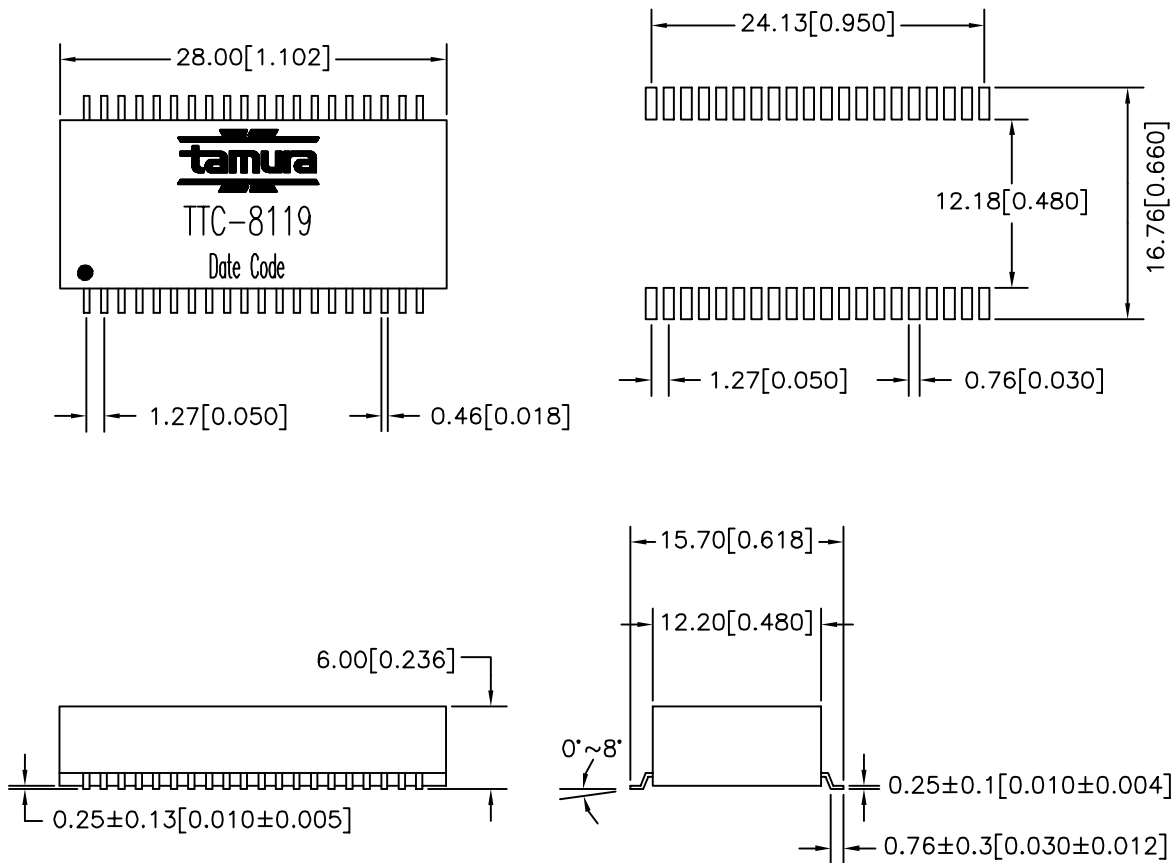


10/100 Base-T QUAD Magnetic Module  
 Multi Port, 40 pin SMD

MODEL NUMBER  
**TTC-8119**



PRELIMINARY



PREPARED BY:

D. Rund

ENGINEER:

L. Le

QUALITY CONTROL:

D. Kelley

APPROVED:

J. Coleman

NOTE: Unless otherwise specified, all dimensions are mm[in] with tolerance of ±0.25[0.010]

DWG CONTROL NO. P-A1-12709 ACAD\TTC\A1127092.DWG	REV <b>PRE</b>	10/100 Base-T QUAD Magnetic Module, Multi Port, 40 pin SMD	<b>TTC-8119</b>	
CONTENTS OF THIS DRAWING ARE SUBJECT TO CHANGE WITHOUT PRIOR NOTICE		<b>TAMURA CORPORATION OF AMERICA</b> 43352 BUSINESS PARK DRIVE, TEMECULA, CA. 92590-6624 (909) 699-1270 FAX 9096769482	MODEL SPECIFICATION	
		DIM: mm(in) SCL: none SH: 2 OF 2		

PROPRIETARY NOTICE: THIS DRAWING PRINT OR DOCUMENT AND SUBJECT MATTER DISCLOSED HEREIN ARE PROPRIETARY ITEMS TO WHICH TAMURA RETAINS THE EXCLUSIVE RIGHT OF DISSEMINATION, REPRODUCTION, MANUFACTURE AND SALE. THIS DRAWING, PRINT OR DOCUMENT IS SUBMITTED IN CONFIDENCE FOR CONSIDERATION BY THE RECIPIENT ALONE UNLESS PERMISSION FOR FURTHER DISCLOSURE IS EXPRESSLY GRANTED IN WRITING.