

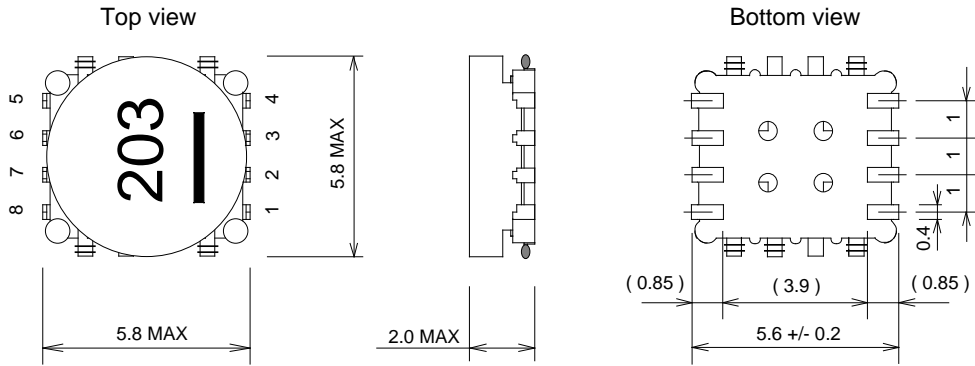
# TDK SMD Transformers

## Photoflash Capacitor Charging Transformer

### LDT565620ST-203

**Mechanical**

RoHS Compliant: Conformity to RoHS Directive: This means that, in conformity with EU Directive 2002/95/EC, cadmium, mercury, hexavalent chromium, and specific bromine-based flame retardants, PBB and PBDE, have not been used except for exempted applications.



Note : Non applicable application : Military, Medical.

**Electrical Specifications at 25degreesC**

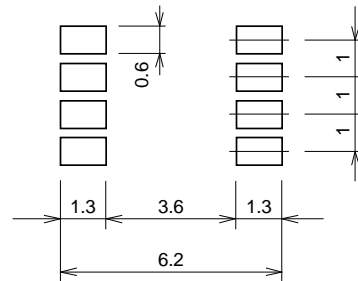
1. Inductance 5 - 8 : 8.20uH +/-15% at 100kHz, 20mVrms
2. Leakage Inductance 5 - 8 ( short 1 - 4 ) : 390nH MAX. at 100kHz, 20mVrms
3. DC Resistance 5 - 8 : 370 mOhm MAX.  
1 - 4 : 11.2 Ohm MAX.
4. Capacitance 5 - 1 : 21pF MAX. at 100kHz, 20mVrms
5. Withstanding Voltage Pri. - Sec. : 500Vrms
6. Operating Temperature -20 ~ 110 deg. ( included self temperature rise )

Maximum primary switching current : 0.75A at 100degreesC

waveform



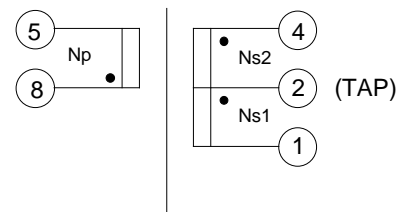
**Pad Layout**



Mass : 0.2 g

Unit : mm.

**Schematics**



Turns Ratio  
1 : 10.2 +/- 3%  
Dot marks mean polarity