

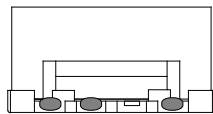
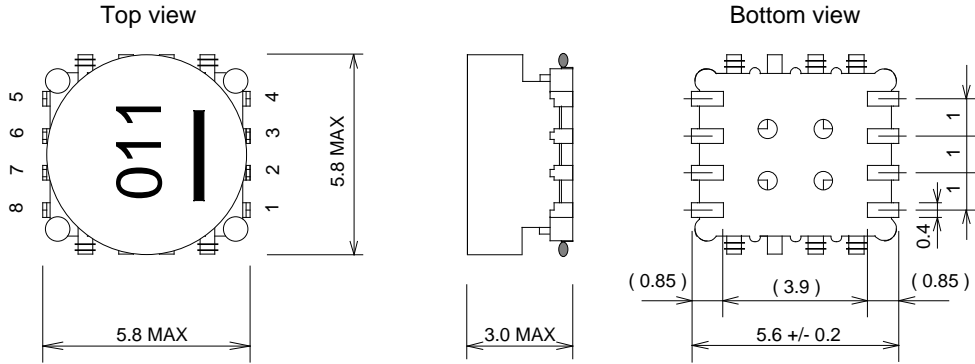
TDK SMD Transformers

Photoflash Capacitor Charging Transformer

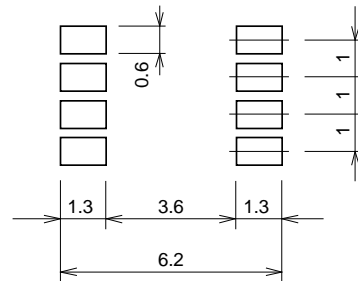
LDT565630T-011

Mechanical

RoHS Compliant: Conformity to RoHS Directive: This means that, in conformity with EU Directive 2002/95/EC, cadmium, mercury, hexavalent chromium, and specific bromine-based flame retardants, PBB and PBDE, have not been used except for exempted applications.



Pad Layout



Mass : 0.25 g

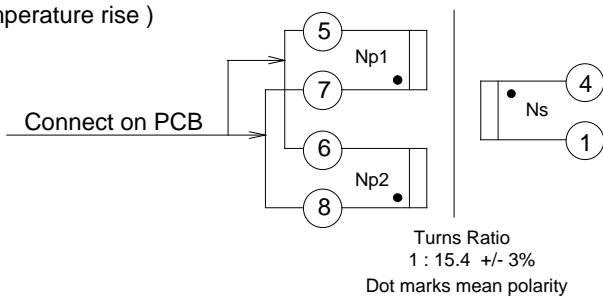
Unit : mm.

Note : Non applicable application : Military, Medical.

Electrical Specifications at 25degreesC

1. Inductance 5,6 - 7,8 : 6.0uH +/-15% at 100kHz, 20mVrms
2. Leakage Inductance 5,6 - 7,8 (short 1 - 4) : 200nH MAX. at 100kHz, 20mVrms
3. DC Resistance 5,6 - 7,8 : 110 mOhm MAX.
1 - 4 : 15.5 Ohm MAX.
4. Withstanding Voltage Pri. - Sec. : 500Vrms
5. Operating Temperature -20 ~ 110 deg. (included self temperature rise)

Schematics



Maximum primary switching current : 1.5A at 100degreesC waveform

